

# 1 tonne Hi - Tip Hydrostatic Dumper

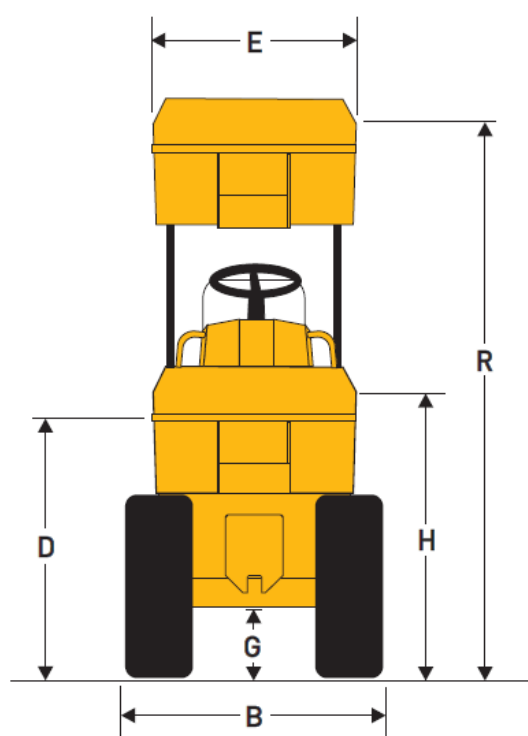
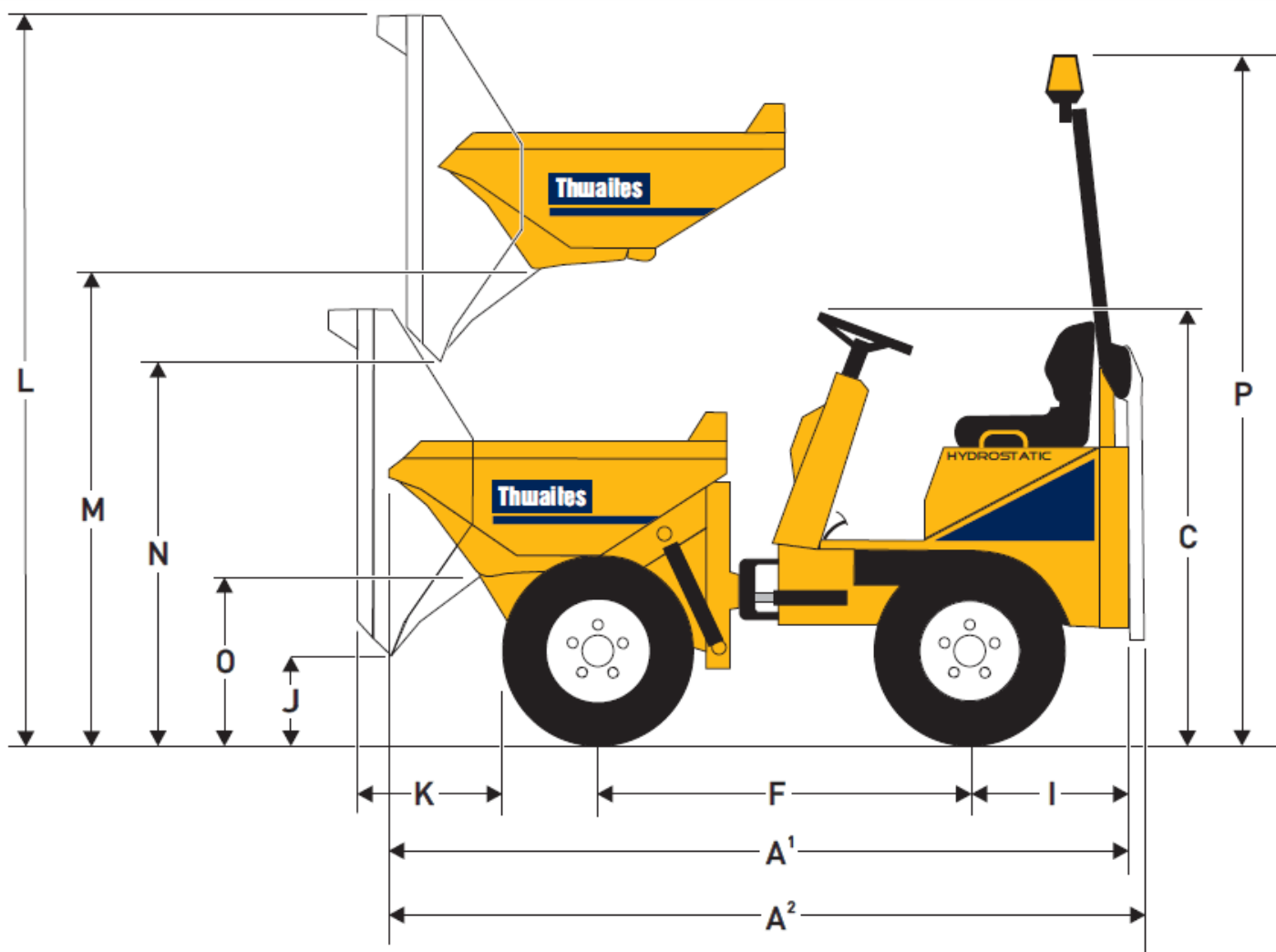


CAPACITIES	
Max. safe load	1000 kg
Heaped	500 litres
Struck	400 litres
Water	280 litres
ENGINE	
	Yanmar 3TNV76
Displacement	15.9 kW/21.4 bhp (nett) @ 2800 rpm
No. of cylinders	three cylinder water-cooled diesel
Max Torque	66.4 Nm
Speeds	Forward/reverse: 0–12 km/h
Drive System	Hydrostatic with variable displacement pump feeding motors, incorporating "Twin-Lock" system to maximise traction. four wheel
Steering and Hydraulics	Hydraulic power steering
Unladen Weight	1295 kg
Clearance diameter	5.45 m

Call 01304 840845

**OVENDEN**  
DIG IT > LOAD IT > CLEAR IT > MOVE IT

## DIMENSIONS



	mm		mm
A1	3,032	I	654
A2	3,192	J	346
B	1,115	K	505
C	1,773	L	3,005
D	1,155	M	1,913
E	982	N	1,573
F	1500	O	720
G	274	P	2,860
H	1,262	R	2,370

Call 01304 840845

**OVENDEN**

DIG IT > LOAD IT > CLEAR IT > MOVE IT