

# Volvo A30D

## Dump Truck



### ENGINE

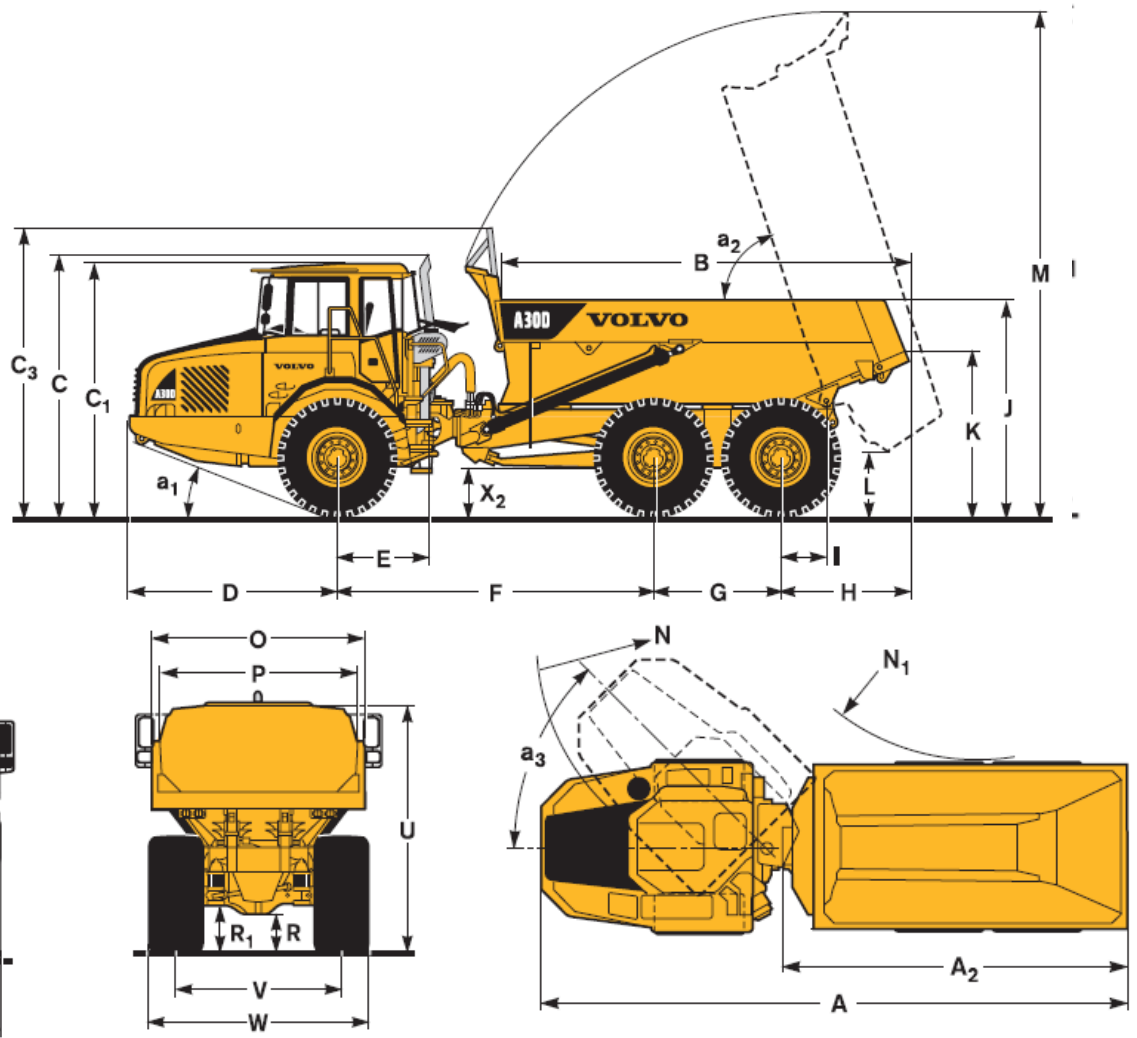
<b>Make</b>	Volvo
<b>Model</b>	D10BAAE2*
<b>Max power at</b>	33.3 r/s (2000 r/min)
<b>SAE J1995 Gross</b>	242 kW (324 hp)
<b>Flywheel power at</b>	33.3 r/s (2000 r/min)
<b>SAE J1349 Net, DIN 6271***</b>	241 kW (323 hp)
<b>Max torque at</b>	Volvo D10BAAE2*
<b>SAE J1995 Gross</b>	1420 Nm (1047 lb ft)
<b>SAE J1349 Net, DIN 6271***</b>	1410 Nm (1040 lb ft)
<b>Displacement total</b>	9.6 l (586 in3)
<b>Bore</b>	120 mm (4.8 in)
<b>Stroke</b>	140 mm (5.5 in)

### STEERING SYSTEM

<b>Hydromechanical articulated steering with mechanical feedback. 3,4 turns lock to lock.</b>	
<b>Cylinders</b>	Two double-acting steering cylinders
<b>Supplementary Steering</b>	Standard. Complies with the ISO 5010 standard at total machine weight
<b>Steering angle</b>	+/-45degrees

Call 01304 840845

**OVENDEN**  
DIG IT > LOAD IT > CLEAR IT > MOVE IT



A	10394 mm (34'1")	F	4175 mm (13'8")	O	2900 mm (9'6")	a <sub>1</sub>	23.5°
A <sub>2</sub>	6032 mm (19'9")	G	1670 mm (5'6")	P	2706 mm (8'11")	a <sub>2</sub>	70°
B	5339 mm (17'6")	H	1688 mm (5'6")	R	513 mm (1'8")	a <sub>3</sub>	45°
C	3428 mm (11'3")	I	608 mm (2'0")	R <sub>1</sub>	635 mm (2'1")		
C <sub>1</sub>	3318 mm (10'11")	J	2856 mm (9'4")	U	3310 mm (10'10")		
C <sub>2</sub>	1768 mm (5'10")	K	2181 mm (7'2")	V	2216 mm (7'3")	2258 mm (7'5")*	
C <sub>3</sub>	3834 mm (12'7")	L	686 mm (2'3")	W	2941 mm (9'8")	2859 mm (9'5")*	
D	2764 mm (9'1")	M	6592 mm (21'8")	X	456 mm (1'6")		
E	1210 mm (4'0")	N	8105 mm (26'7")	X <sub>1</sub>	582 mm (1'11")		
		N <sub>1</sub>	4037 mm (13'3")	X <sub>2</sub>	659 mm (2'2")		
				Y	2216 mm (7'3")	2258 mm (7'5")*	
				Z	2941 mm (9'8")	2859 mm (9'5")*	

## WEIGHTS

### Operating weight: with tyres 23.5 R 25

#### UNLOADED

Front	12,300 kg	27,116 lb
Rear	10,360 kg	22,839 lb
Total	22,660 kg	49,956 lb
Payload	28,000 kg	61,728 lb

#### Total weight:

Front	14,790 kg	32,606 lb
Rear	35,870 kg	79,078 lb
Total	50,660 kg	111,684 lb

Call 01304 840845

**OVENDEN**

DIG IT > LOAD IT > CLEAR IT > MOVE IT

## BODY

Tipping angle	70°
Tipping time with load	12s
Lowering time	9s
Body, plate thickness	
Front	8 mm (0.31 in)
Sides	12 mm (0.47 in)
Bottom	14 mm (0.55 in)
Chute	14 mm (0.55 in)
Yield strength	900 N/mm <sup>2</sup> (130000 psi)
Tensile strength	1250 N/mm <sup>2</sup> (181000 psi)
Hardness min	360 HB

## LOAD CAPACITY

US body load capacity	28,000 kg	31 sh tn
Body, struck	13.6 m <sup>3</sup>	17.8 yd <sup>3</sup>
heaped	17.5m <sup>3</sup>	22.9 yd <sup>3</sup>
With overhung tailgate (optional)		
Body, struck	14 m <sup>3</sup>	18.3 yd <sup>3</sup>
heaped	18.1 m <sup>3</sup>	23.7 yd <sup>3</sup>

## DRIVETRAIN

### Type

Torque converter	Single stage with free-wheeling stator and automatic lock-up in all ranges. 2:37:1
Transmission	Electronically controlled, fully automatic planetary transmission with six gears forward and two in reverse. Volvo PT 1560
Dropbox	Volvo IL 1
Axles	Volvo AH 64

### Speeds with tyres 750/65 R 25

Max. travel speeds	Forward	Reverse
1	8km/h 5 mph	8 km/h 5 mph
2	12 km/h 7.5 mph	13 km/h 8.1 mph
3	22 km/h 13 mph	
4	31 km/h 19.3 mph	
5	40 km/h 24.8 mph	
6	53 km/h 32.9 mph	

Call 01304 840845

**OVENDEN**

DIG IT > LOAD IT > CLEAR IT > MOVE IT