

Komatsu D61PX-15

Crawler Dozer



ENGINE	
Model	Komatsu SAA6D107E-1
Type	4-cycle, water-cooled, direct injection
Aspiration	Turbocharged, air-to-air after cooled
No of Cylinders	6
Bore x Stroke	107 mm x 124 mm
Piston Displacement	6.69 ltr
Governor	All-speed, electronic
Horsepower	
SAE J1995	Gross 127 kW
ISO 9249 / SAE J1349	Net 125 kW
Hydraulic fan at max. speed	Net 116 kW
Rated rpm	1850 rpm
Fan drive type	Hydraulic
Lubrication system	
Method	Gear pump, force lubrication
Filter	Full-flow

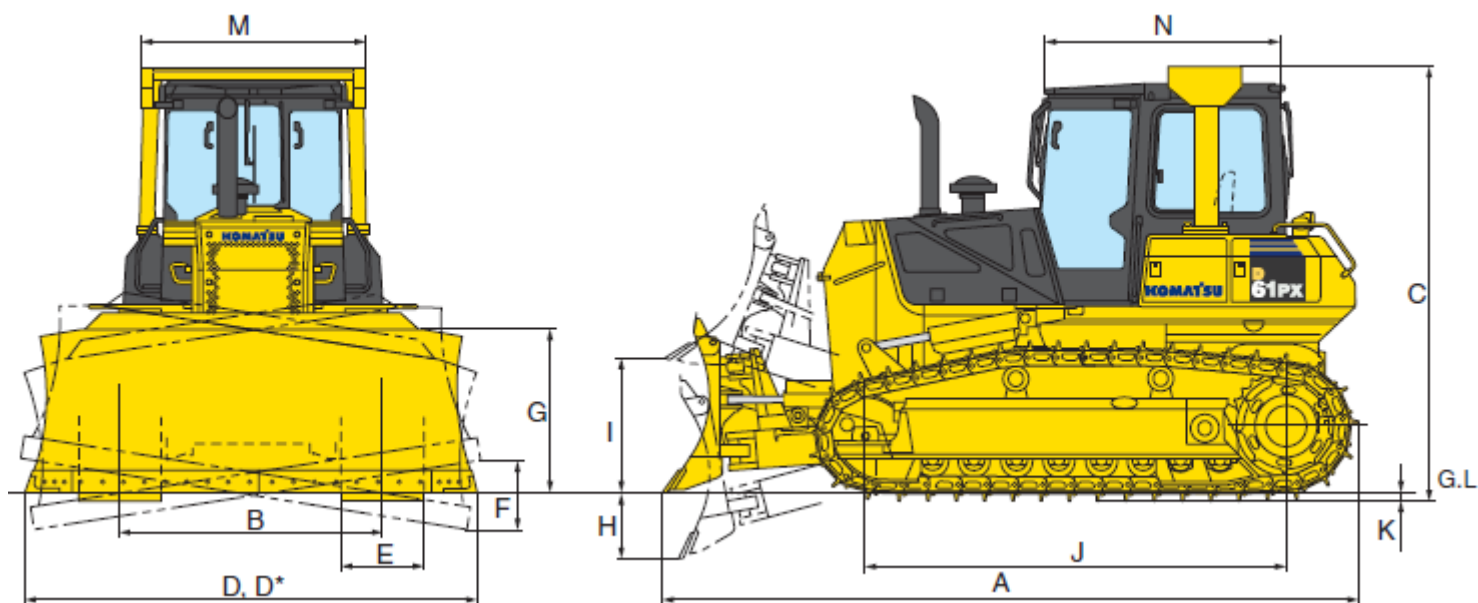
TRAVEL SPEED	Forward	Reverse
1st	0-3.2 km/h 0-2.0 mph	0-4.3 km/h 0-2.7 mph
2nd	0-5.6 km/h 0-3.5 mph	0-7.2 km/h 0-4.5 mph
3rd	0-8.7 km/h 0-5.4 mph	0-11.0 km/h 0-6.8 mph

Call 01304 840845

OVENDEN

DIG IT > LOAD IT > CLEAR IT > MOVE IT

DIMENSIONS



	mm		mm
A	5,440	H	580
B	2,140	I	1,025
C	3,150	J	3,170
D	3,860	K	57.5
D**	3,500	M	1,650
E	862	M*	1,825
F	600	N	1,730
G	1,160		

WEIGHT

Tractor weight:	15,840 kg	Including rated capacity of lubricant, coolant, full fuel tank, operator and standard equipment.
Operating weight:	18,930 kg	Including power angle tilt dozer, ROPS canopy, operator, standard equipment, rated capacity of lubricant, coolant, and full fuel tank.

Call 01304 840845

OVENDEN
DIG IT > LOAD IT > CLEAR IT > MOVE IT