

Komatsu PC130 12m Long Reach Excavator



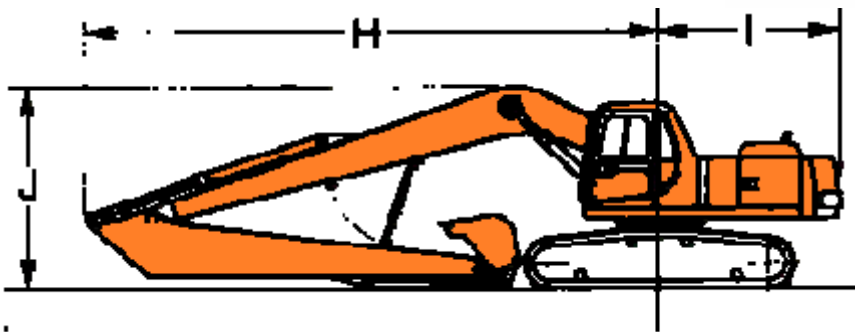
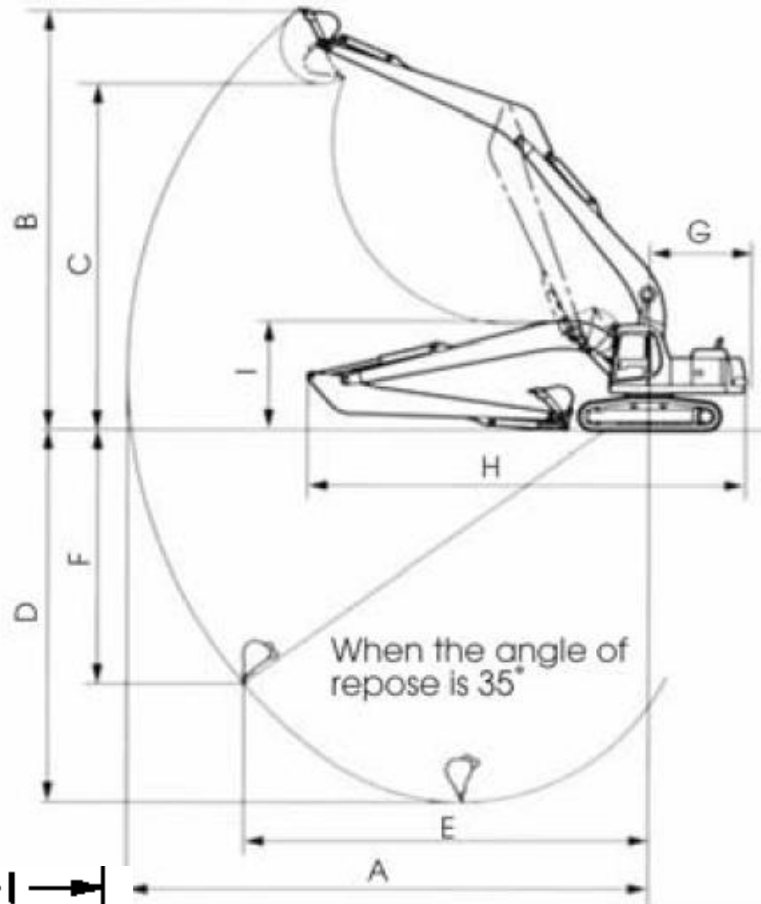
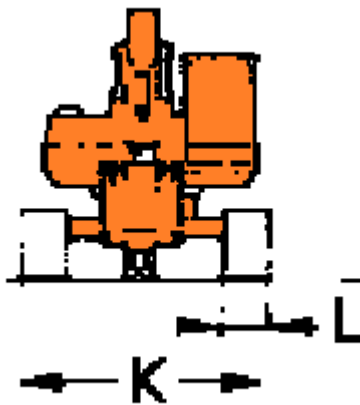
OTHER INFORMATION

Operating Weight (estimated) (700mm shoes)	kg	13276
Flywheel horsepower (SAE J1349 (Net))	kW(PS)/rpm	64 (87)/2200
Maximum bucket capacity (CECE/SAE)	m ³	0.28/0.3
Maximum material density	ton/m ³	1.1

Call 01304 840845

OVENDEN

DIG IT > LOAD IT > CLEAR IT > MOVE IT



RANGE

A	Max Digging reach (ground)	mm	12,300
B	Max Digging height	mm	11,050
C	Max Dumping height	mm	9,050
D	Max Digging depth	mm	9,410
E	Max digging reach 35deg slope	mm	10,070
F	Max digging depth on 35deg slope	mm	5,600
G	Tail swing radius	mm	2,190
H	Length (swing centre to front end)	mm	7,810
I	Length (swing centre to rear end)	mm	2,110
J	Height	mm	2,715
K	Width	mm	2,660

Call 01304 840845

OVENDEN

DIG IT > LOAD IT > CLEAR IT > MOVE IT

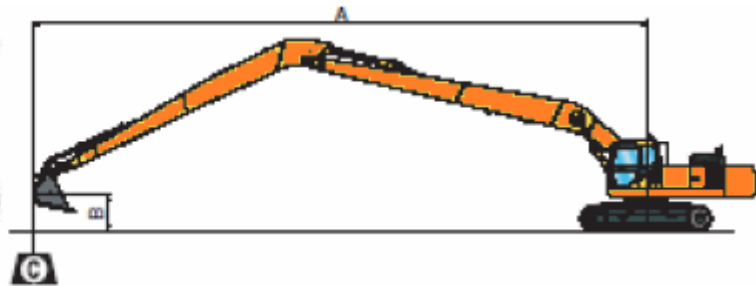
LIFTING CAPACITY INFORMATION

Includes bucket weight 210 kg

B	A MAX		11.0M		10.0M		9.0M		8.0M		7.0M		6.0M	
	CF	CS	CF	CS	CF	CS	CF	CS	CF	CS	CF	CS	CF	CS
11.0M														
9.0M	* 780	* 780							* 1200	* 1200				
7.0M	* 720	* 720			* 820	* 820	* 1360	1080	* 1320	* 1320				
5.0M	* 720	620			1200	800	* 1440	1040	* 1480	1340				
3.0M	* 760	520	920	580	1140	740	1400	940	1740	1200	* 1900	1540	* 2100	2000
1.0M	780	460	880	520	1060	660	1280	840	1560	1040	1940	1300	2480	1660
0.0M	780	460	840	500	1020	620	1220	780	1480	960	1840	1200	2320	1520
-1.0M	780	460	820	480	980	600	1180	740	1420	900	1740	1120	2200	1420
-2.0M	800	460	820	460	960	580	1140	700	1380	860	1680	1060	2100	1340
-3.0M	640	500			940	560	1120	680	1340	820	1640	1020	2060	1280
-4.0M	920	540			940	560	1100	660	1320	800	1620	1000	2040	1260
-5.0M	1020	600					1120	660	1320	800	1620	1000	2040	1260
-6.0M	1160	720							1340	820	1640	1020	2060	1280
-7.0M	1420	900									1680	1060	2120	1340
-8.0M	1920	1240											2220	1420

* - Load is limited by hydraulic capacity rather than tipping. Ratings are based on SAE standard number J1097. Rated loads do not exceed 87% of hydraulic lift capacity or 75% of tipping load

- A** - Reach from swing centre
- B** - Bucket hook height
- F** - Rating over front
- S** - Rating over side
- MAX** - Rating at maximum reach



Call 01304 840845

OVENDEN

DIG IT > LOAD IT > CLEAR IT > MOVE IT