

Bobcat T650

Compact Loader

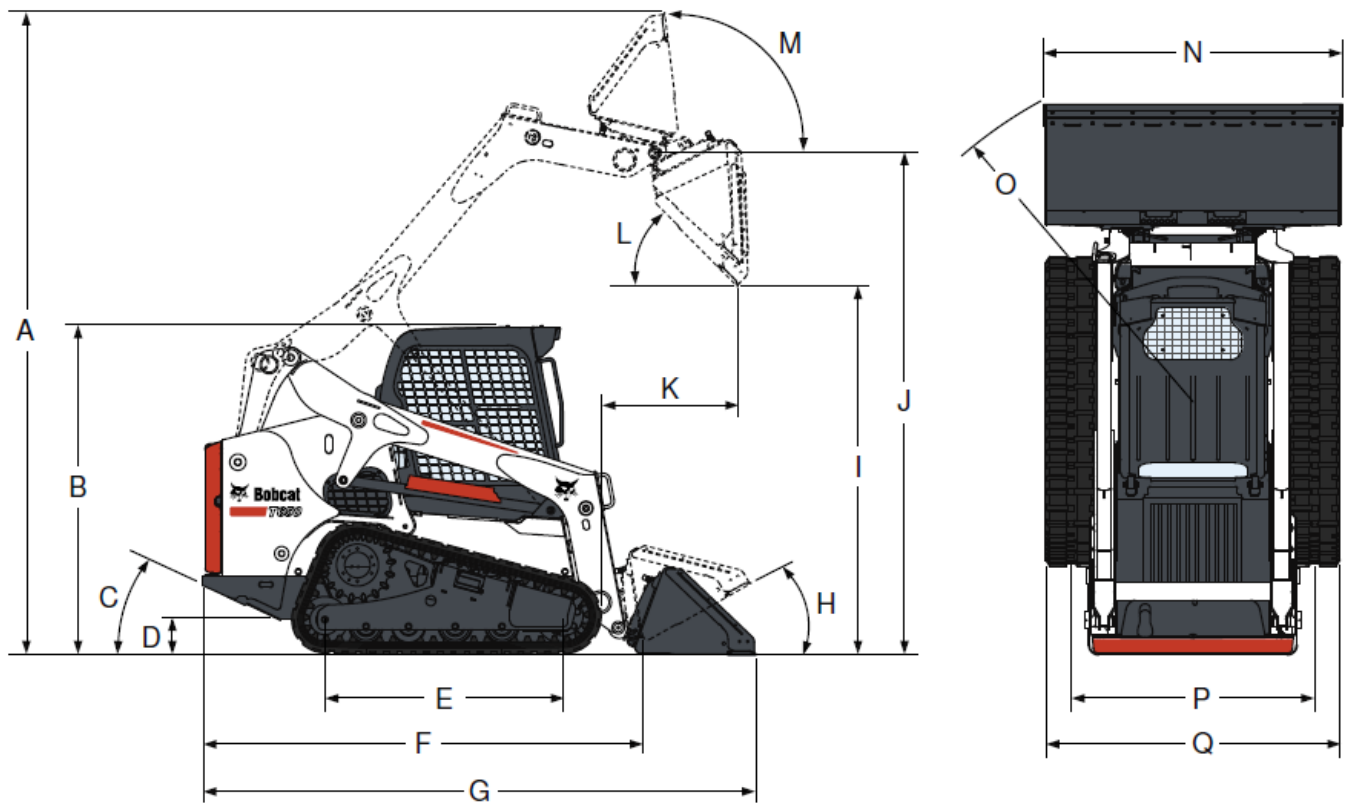


ENGINE

Make / Model	Kubota / V3307-DI-TE3
Fuel	Diesel
Cooling	Liquid
Power at 2400 RPM	55.4 kW
Torque, maximum at 1600 RPM (SAE J1998 Gross)	264.0 Nm
Number of cylinders	4
Displacement	3331 cm ³
Fuel tank	103.30 L
Rated operating capacity, ISO 14397-1	1271 kg
Tipping load	3632 kg
Pump capacity	87.10 L/min
Pump capacity (with high flow option)	115.50 L/min
System relief at quick couplers	23.8-24.5 MPa
Max. travel speed	10.6 km/h

Call 01304 840845

OVENDEN
DIG IT > LOAD IT > CLEAR IT > MOVE IT



DIMENSIONS

(A)	mm	4026.0
(B)	mm	2065.0
(C)	deg	31°
(D)	mm	406.0
(E)	mm	1499.0
(F)	mm	2754.0
(G)	mm	3474.0
(H)	deg	30°
(I)	mm	2447.0
(J)	mm	3149.0
(K)	mm	870.0
(L)	deg	42°
(M)	deg	97°
(N)	mm	1880.0
(O)	mm	2228.0
(P)	mm	1532.0

Call 01304 840845

OVENDEN

DIG IT > LOAD IT > CLEAR IT > MOVE IT

WEIGHTS	
Operating weight	4585 kg
Shipping weight	4322 kg
CONTROLS	
Vehicle steering	Direction and speed controlled by two hand levers or joysticks (optional)
Loader hydraulics tilt and lift	Separate foot pedals, optional Advanced Control System (ACS), Advanced Hand Controls (AHC) or Selectable Joystick Controls (SJC)
Front auxiliary (standard)	Electrical switch on right-hand steering lever
DRIVE SYSTEM	
Transmission	Infinitely variable tandem hydrostatic piston pumps, driving two fully reversing hydrostatic motors

Call 01304 840845

OVENDEN

DIG IT > LOAD IT > CLEAR IT > MOVE IT