

# JCB Loadall 520-40

## Telescopic Handler



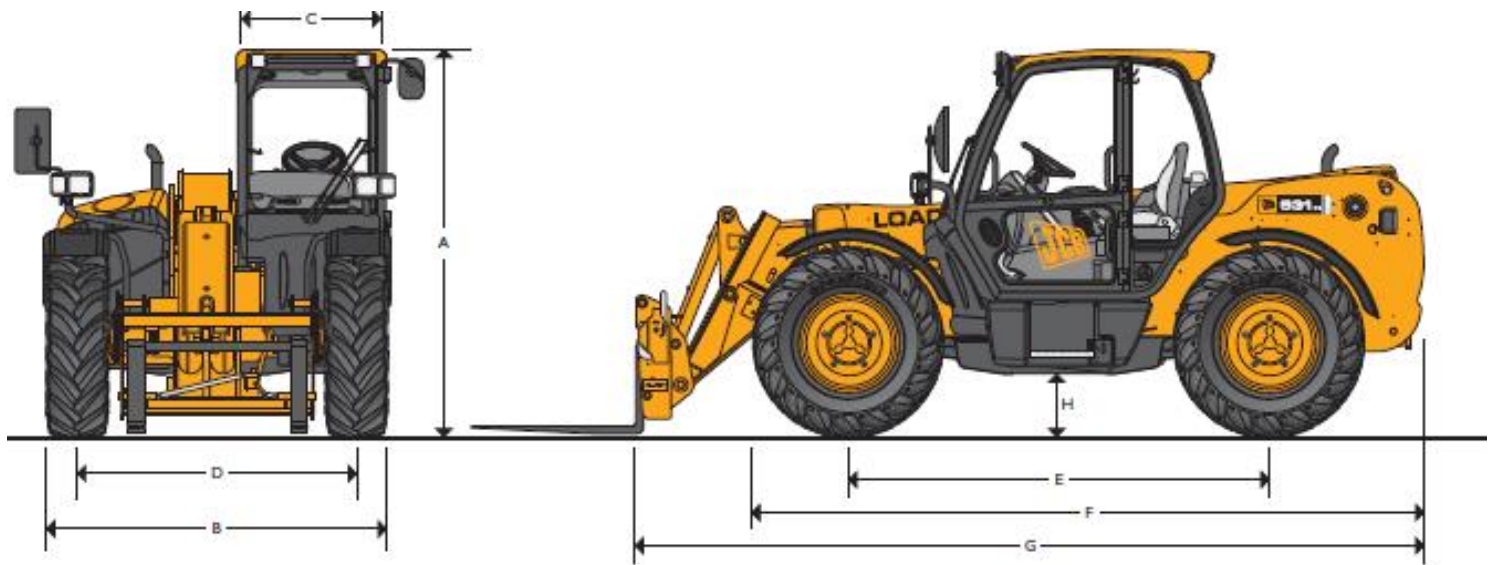
<b>Maximum Payload (tonne)</b>	3.1
<b>Maximum Lift Height (m)</b>	7

<b>ENGINE</b>		
<b>Displacement</b>	ltr (in3)	4.4 (269)
<b>No. of cylinders</b>		4
<b>Bore size</b>	mm (in)	103 (4.05)
<b>Stroke</b>	mm (in)	132 (5.0)
<b>Aspiration</b>		Naturally Aspirated
<b>Power rating</b>	kW (HP)	
<b>Power rating @ 2200rpm</b>	kW (hp)	63.0 (84.5)
<b>Torque rating</b>		
<b>Torque rating @ 1200rpm</b>	Nm (lbf ft)	320 (236)

Call 01304 840845

**OVENDEN**

DIG IT > LOAD IT > CLEAR IT > MOVE IT



## DIMENSIONS

### Machine model 531 – 70

		m (ft-in)
<b>A</b>	Overall height	2.49 (8-2)
<b>B</b>	Inside width of cab	2.23 (7-4)
<b>C</b>	Width over tyres (min)	0.94 (3-1)
<b>D</b>	Front track	1.81(5-11)
<b>E</b>	Wheel base	2.75 (9-0)
<b>F</b>	Overall length to front of tyres	4.38 (14-4)
<b>G</b>	Overall length to front of carriage	4.99 (16-4)
<b>H</b>	Ground clearance	0.40 (1-4)
	Outer turn radius over tyres	3.7 (12-2)
	Weight - Fixed	6900 (15215)
	Tyres	15.5/80-24

## HYDRAULICS

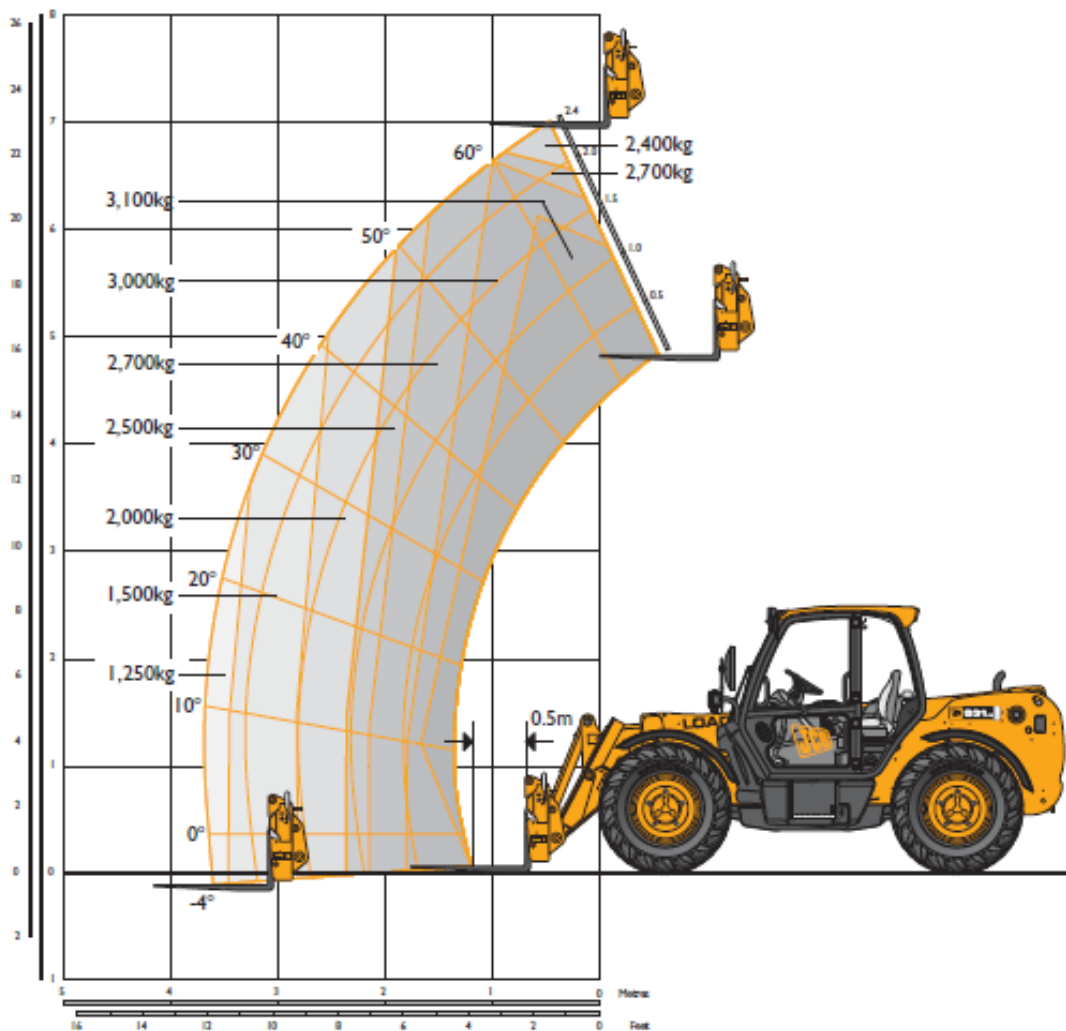
### Machine model

<b>Operating system pressure</b>	bar (psi)	241 (3500)
<b>Main Hydraulics</b>	ltrs	82
<b>Steering System (Turbo Only)</b>	ltrs	44
<b>Cooling System</b>	ltrs	37
<b>Total Flow</b>	ltrs	163
<b>Hydraulic Cycle times</b>		<b>Seconds</b>
<b>Boom raise</b>		7.2
<b>Boom lower</b>		5.4
<b>Extend</b>		6.8
<b>Retract</b>		5.0
<b>Bucket dump</b>		3.5
<b>Bucket crowd</b>		2.9

Call 01304 840845

**OVENDEN**

DIG IT > LOAD IT > CLEAR IT > MOVE IT



## LIFT PERFORMANCE

<b>Machine Model</b>		531-70
<b>Maximum lift capacity</b>	kg (lb)	3100 (6834)
<b>Lift capacity at full height</b>	kg (lb)	2400 (5291)
<b>Lift capacity at full reach</b>	kg (lb)	1250 (2756)
<b>Lift height</b>	m (ft-in)	7.0 (23-0)
<b>Reach at max. lift height</b>	m (ft-in)	0.48 (1-7)
<b>Maximum reach forward</b>	m (ft-in)	3.7 (12-2)
<b>Reach with 1 tonne load</b>	m (ft-in)	3.7(12-2)
<b>Placing height</b>	m (ft-in)	6.3 (20-8)

Call 01304 840845

**OVENDEN**

DIG IT > LOAD IT > CLEAR IT > MOVE IT