

# Volvo A30E

## Dump Truck



### ENGINE

<b>Model</b>	Volvo D9B ACE3/ADE3
<b>Max Power at</b>	31.7 r/s
<b>SAE J1995 Gross</b>	252Kw
<b>Flywheel power at</b>	31.7 r/s
<b>ISO 9249, SAE J1349</b>	251kW
<b>Max torque at</b>	20 r/s
<b>SAE J1995 Gross</b>	1700Nm
<b>ISO 9249, SAE J1349</b>	1689Nm
<b>Displacement total</b>	9.4l

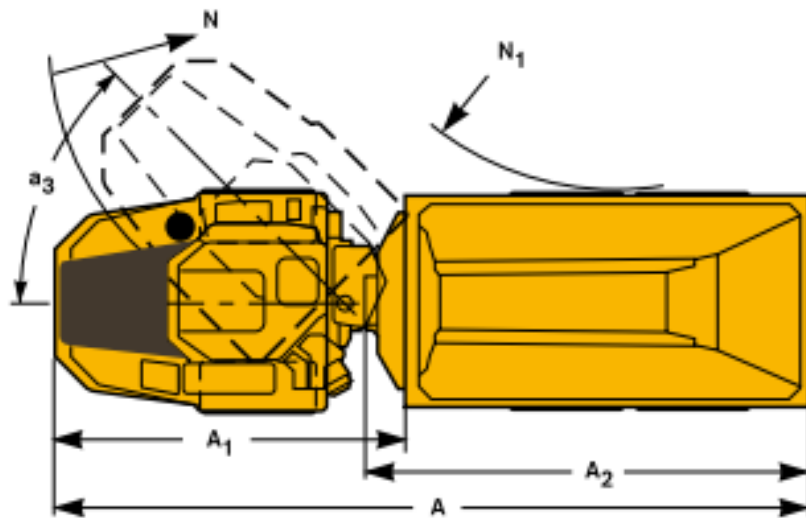
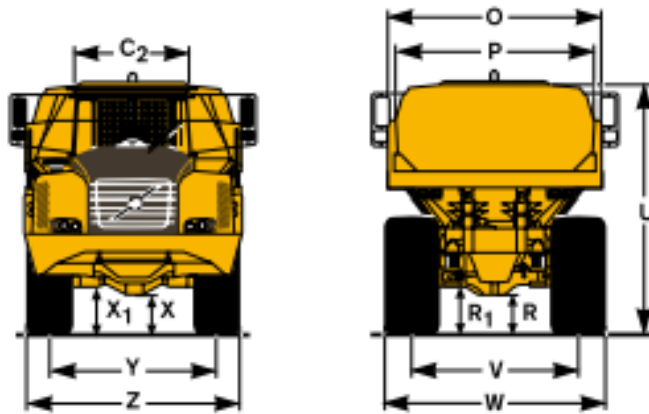
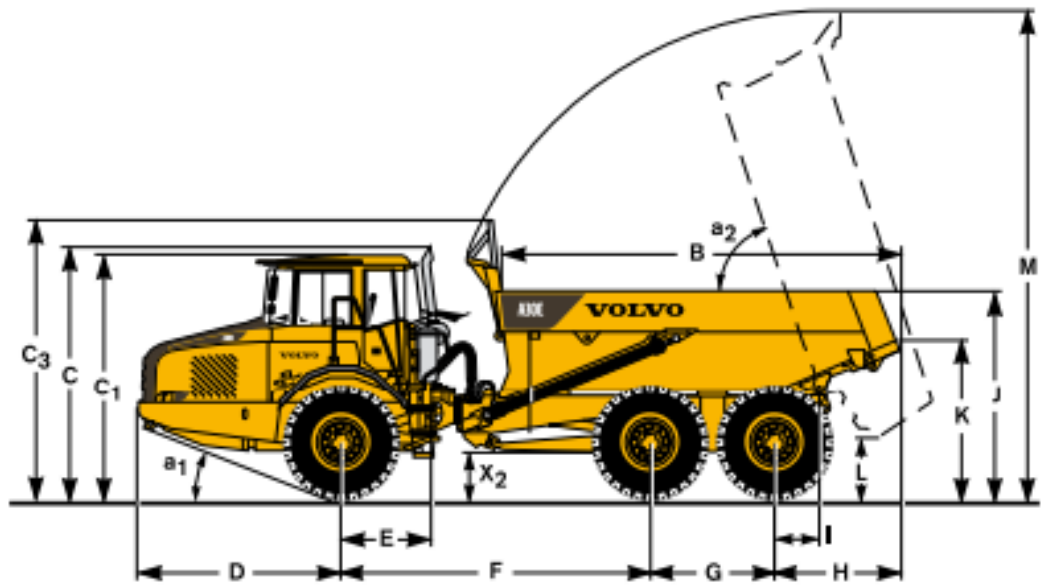
### HYDRAULIC SYSTEM

	Pump capacity per pump
<b>Engine-dependent</b>	146 l/min
<b>Ground-dependent</b>	122 l/min
<b>at shaft speed</b>	46,2 r/s
<b>Working pressure</b>	25 MPa

Call 01304 840845

**OVENDEN**  
DIG IT > LOAD IT > CLEAR IT > MOVE IT

(mm)	
Pos	A30E
A	10 297
A <sub>1</sub>	4 954
A <sub>2</sub>	6 002
B	5 339
C	3 428
C <sub>1</sub>	3 318
C <sub>2</sub>	1 768
C <sub>3</sub>	3 834
D	2 764
E	1 210
F	4 175
G	1 670
H	1 688
I	608
J	2 856
K	2 181
L	686
M	6 592
N	8 105
N <sub>1</sub>	4 037
O	2 900
P	2 706
R	513
R <sub>1</sub>	635
U	3 310
V	2 216
V*	2 258
W	2 941
W*	2 859
X	456
X <sub>1</sub>	582
X <sub>2</sub>	659
Y	2 216
Y*	2 258
Z	2 941
Z*	2 859
a <sub>1</sub>	23.5°
a <sub>2</sub>	70°
a <sub>3</sub>	45°



Call 01304 840845

**OVENDEN**

DIG IT > LOAD IT > CLEAR IT > MOVE IT