

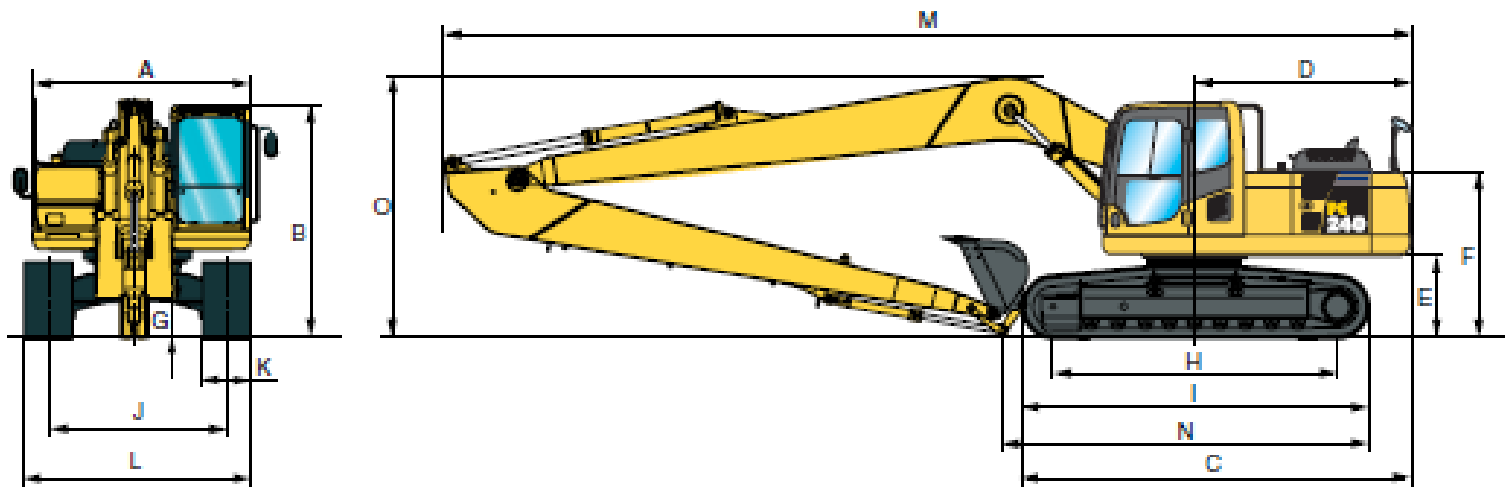
Komatsu PC240 18m Long Reach Excavator



ENGINE			
Model	Komatsu SAA6D107E-1		
Type	Common rail direct injection, water-cooled, emissionised, turbocharged, after-cooled diesel		
Rated capacity	125 kW/168 HP (ISO 9249 Net)		
Engine speed	2,000 rpm	No. of cylinders	6
Bore/stroke	107/124 mm	Battery	2 × 12 V/140 Ah
Alternator	24 V/60 A	Starter motor	24 V/5,5 kW
Air filter type	Double element type with monitor panel dust indicator and auto dust evacuator		
Cooling	Suction type cooling fan with radiator fly screen		
HYDRAULIC SYSTEM			
Type	HydrauMind. Closed-centre system with load sensing and pressure compensation valves		
Additional circuits	1 additional circuit can be installed		
Main pump	2 variable displacement piston pumps supplying boom, arm, bucket, swing and travel circuits		
Maximum pump flow	2 × 214 ltr/min		
Relief valve settings			
Implement	380 kg/cm ²	Swing	295 kg/cm ²
Travel	380 kg/cm ²	Pilot circuit	33 kg/cm ²
Attachment	(where fitted) up to 190 kg/cm ²		

Call 01304 840845

OVENDEN
DIG IT > LOAD IT > CLEAR IT > MOVE IT



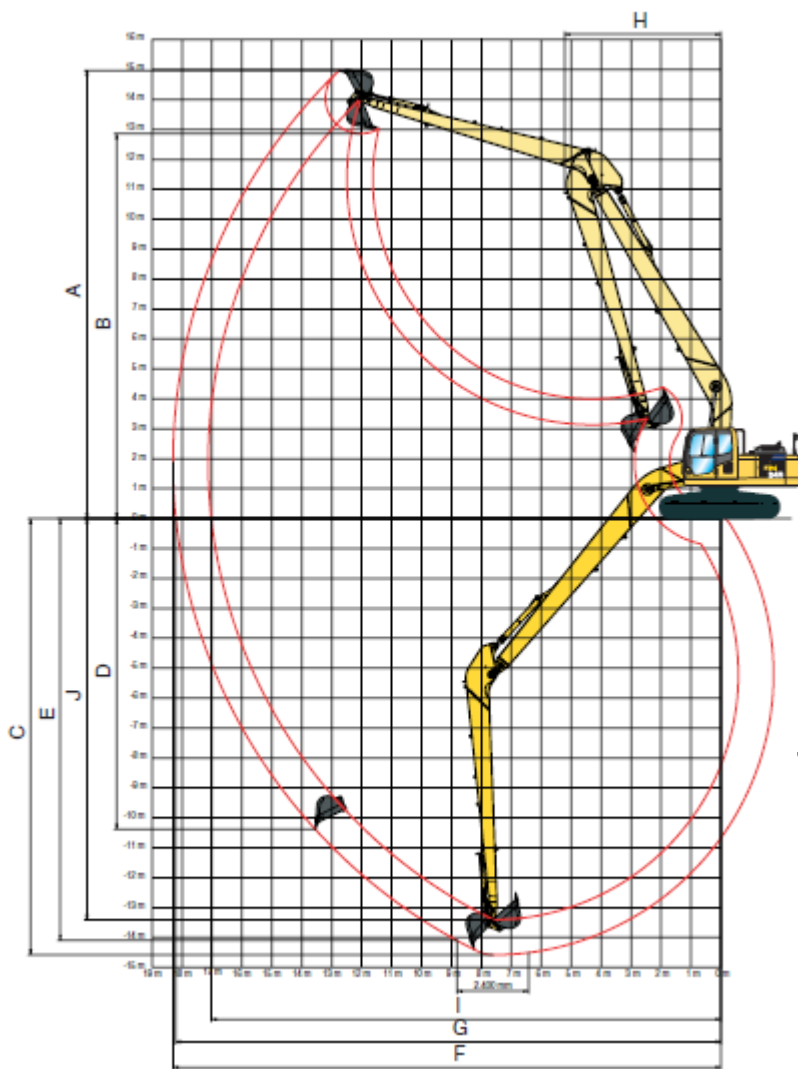
DIMENSIONS

A	Overall width of upper structure	2,710 mm
B	Overall height of cab	3,055 mm
C	Overall length of basic machine	5,225 mm
D	Tail length	2,905 mm
	Tail swing radius	2,940 mm
E	Clearance under counterweight (not machines for powered attachments)	1,110 mm
F	Machine tail height	2,405 mm
G	Ground clearance	440 mm
H	Track length on ground	3,845 mm
I	Track length	4,640 mm
J	Track gauge	2,580 mm
K	Track shoe width	600, 700, 800, 900 mm
	Overall track width with 600 mm shoe	3,180 mm
	Overall track width with 700 mm shoe	3,280 mm
	Overall track width with 800 mm shoe	3,380 mm
	Overall track width with 900 mm shoe	3,480 mm
M	Transport length	14,400 mm
N	Length on ground (transport)	4,520 mm
O	Overall height (to top of boom)	3,230 mm

Call 01304 840845

OVENDEN

DIG IT > LOAD IT > CLEAR IT > MOVE IT



OPERATING WEIGHT

Triple grouser shoes	Operating weight	Ground pressure
600 mm	27,610 kg	0,58 kg/cm ²
700 mm	27,910 kg	0,50 kg/cm ²
800 mm	28,210 kg	0,45 kg/cm ²
900 mm	28,510 kg	0,40 kg/cm ²

DIMENSIONS

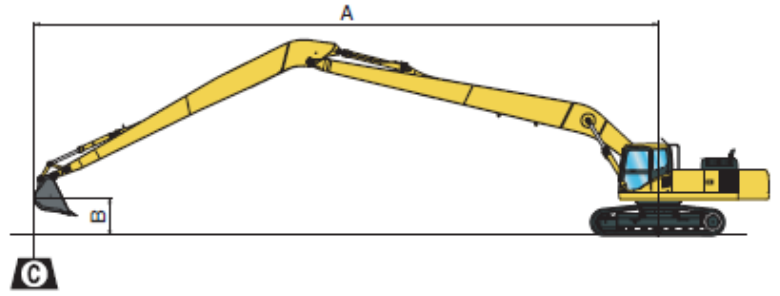
A	Max. digging height	14,970 mm
B	Max. dumping height	12,860 mm
C	Max. digging depth	14,580 mm
D	Max. vertical wall digging depth	10,385mm
E	Max. digging depth of cut for 2,44 m level	14,100 mm
F	Max. digging reach	18,300 mm
G	Max. digging reach at ground level	18,250 mm
H	Min. swing radius	5,220 mm
I	Max. pin reach at ground level	17,020 mm
J	Max. pin depth	13,405 mm

Call 01304 840845

OVENDEN

DIG IT > LOAD IT > CLEAR IT > MOVE IT

- A** - Reach from swing centre
- B** - Bucket hook height
- F** - Rating over front
- S** - Rating over side
- MAX** - Rating at maximum reach



PC240LC-8

700 mm shoes, 367 kg bucket

A	MAX		17 m		15 m		13 m		12 m		11 m		10 m		9 m		8 m		7 m		6 m	
	B	F	S	F	S	F	S	F	S	F	S	F	S	F	S	F	S	F	S	F	S	
14 m	900*	900*																				
10 m	850*	850*			1150*	1150*	1700*	1700*														
6 m	850*	850*	850*	850*	1900*	1600	2000*	2000*	2050*	2050*	2050*	2050*										
3 m	950*	950*	1350*	1050	2250*	1450	2400*	2000	2550*	2350	2700*	2700*	2900*	2900*	3100*	3100*	3400*	3400*	3800*	3800*		
0 m	1100*	900	1500*	950	2200	1300	2800	1700	3100*	2000	3350*	2300	3700*	2700	4150*	3200	4750*	3750	5600*	4550	6800*	5600
-3 m	1350*	900			2050	1150	2600	1500	2900	1750	3350	2000	3850	2300	4450	2700	5300	3200	6400	3850	8100	4750
-6 m	1800*	1050			2000	1100	2450	1400	2800	1600	3150	1850	3650	2150	4250	2500	5050	3000	6150	3600	7850	4550
-9 m	2350	1350					2500	1450	2800	1650	3200	1850	3700	2200	4250	2550	5100	3000	6250	3700	8000	4700
-13 m	3900*	2850													4000*	2900	4600*	3450	5300*	4200	6150*	5300

Call 01304 840845

OVENDEN

DIG IT > LOAD IT > CLEAR IT > MOVE IT