

# JCB Loadall 535-125

## Telescopic Handler



©JCB

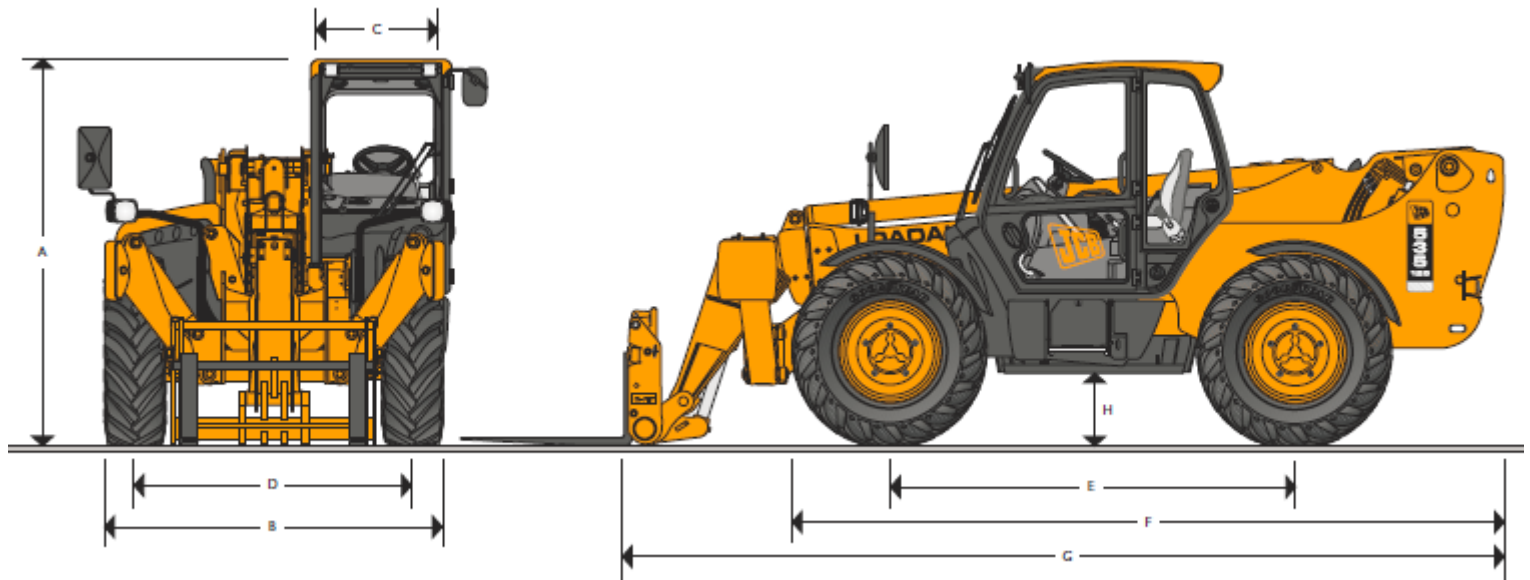
<b>Maximum Payload (tonne)</b>	3.5
<b>Maximum Lift Height (m)</b>	12.3

<b>ENGINE</b>		
<b>Displacement</b>	ltr (in3)	4.4 (269)
<b>No. of cylinders</b>		4
<b>Bore size</b>	mm (in)	105 (4.13)
<b>Stroke</b>	mm (in)	127 (5.0)
<b>Aspiration</b>		Naturally Aspirated
<b>Power rating</b>	kW (HP)	
<b>Power rating @ 2200rpm</b>	kW (hp)	62.0 (82.5)
<b>Torque rating</b>		
<b>Torque rating @ 1200rpm</b>	Nm (lbf ft)	308 (277)

Call 01304 840845

**OVENDEN**

DIG IT > LOAD IT > CLEAR IT > MOVE IT



## DIMENSIONS

Machine model 535 – 125		m
A	Overall height	2.59
B	Inside width of cab	2.35
C	Width over tyres (min)	0.94
D	Front track	1.90
E	Wheel base	2.75
F	Overall length to front of tyres	4.38
G	Overall length to front of carriage	5.84
H	Ground clearance	0.40
	Outer turn radius over tyres	4.0
	Weight - Fixed	9140
	Tyres	15.5

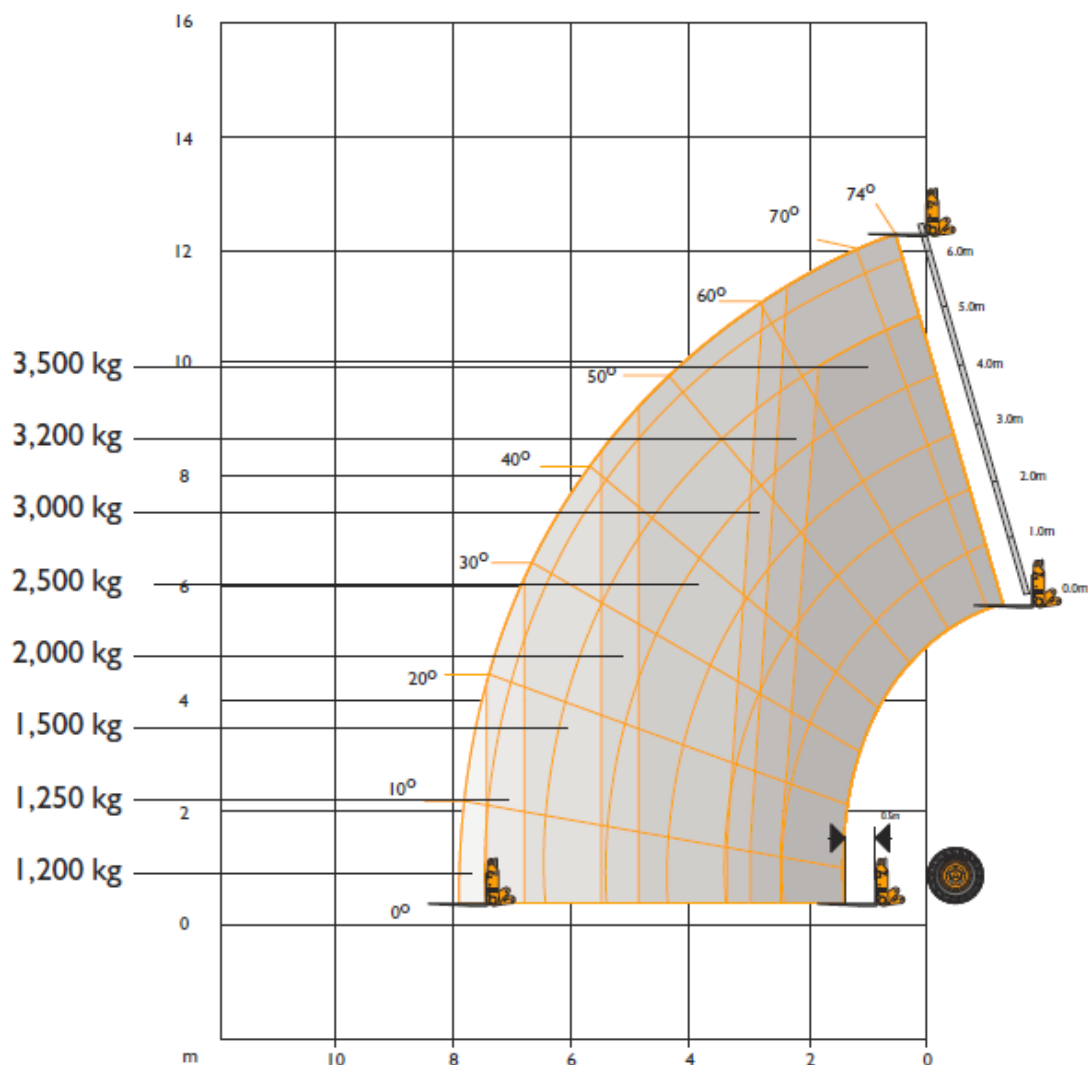
## HYDRAULICS

Machine model	535-125	
Operating system pressure	bar (psi)	241 (3500)
Main Hydraulics	ltrs	110
Hydraulic Cycle times	Seconds	
Boom raise	9.9	
Boom lower	7.6	
Extend	13.0	
Retract	13.7	
Bucket dump	2.2	
Bucket crowd	2.9	

Call 01304 840845

**OVENDEN**

DIG IT > LOAD IT > CLEAR IT > MOVE IT



## LIFT PERFORMANCE

### With Stabilisers

<b>Maximum lift capacity</b>	kg (lb)	3500 (7716)
<b>Lift capacity at full height</b>	kg (lb)	3200 (7055)
<b>Lift capacity at full reach</b>	kg (lb)	1200 (2646)
<b>Lift height</b>	m (ft-in)	12.3 (40-4)
<b>Reach at max. lift height</b>	m (ft-in)	0.6 (2-0)
<b>Maximum reach forward</b>	m (ft-in)	8.0 (26-3)
<b>Reach with 1 tonne load</b>	m (ft-in)	8.0 (26-3)
<b>Placing height</b>	m (ft-in)	11.5 (37-8)

Call 01304 840845

**OVENDEN**

DIG IT > LOAD IT > CLEAR IT > MOVE IT