

10 tonne Front-Tip Dumper



CAPACITIES

Max. safe load	10,000 kg
Heaped	4700 litres
Struck	4110 litres
Water	2350 litres

ENGINE

Perkins 1100 D series

Displacement	83kW/111 bhp at 2200 rpm
No. of cylinders	four cylinder turbo charged water-cooled direct-injection diesel
Max Torque	418 Nm

SPEEDS

Forward and Reverse

1	5.4 km/h (3.1 mph)
2	8.7 km/h (5.5 mph)
3	16.4 km/h (10.5 mph)
4	30.1 km/h (17.8 mph)

Steering and Hydraulics Hydraulic priority power steering

Unladen Weight 4780 kg

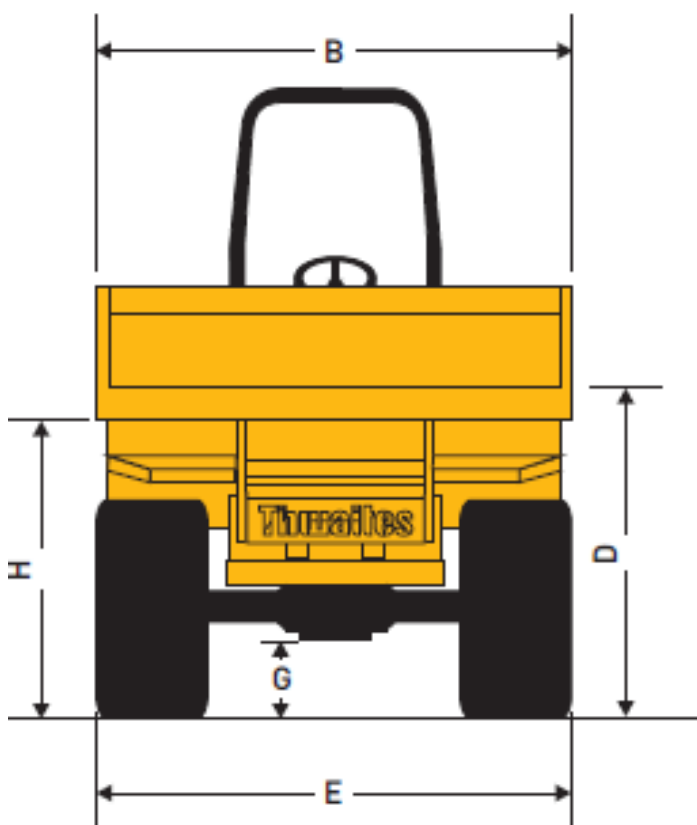
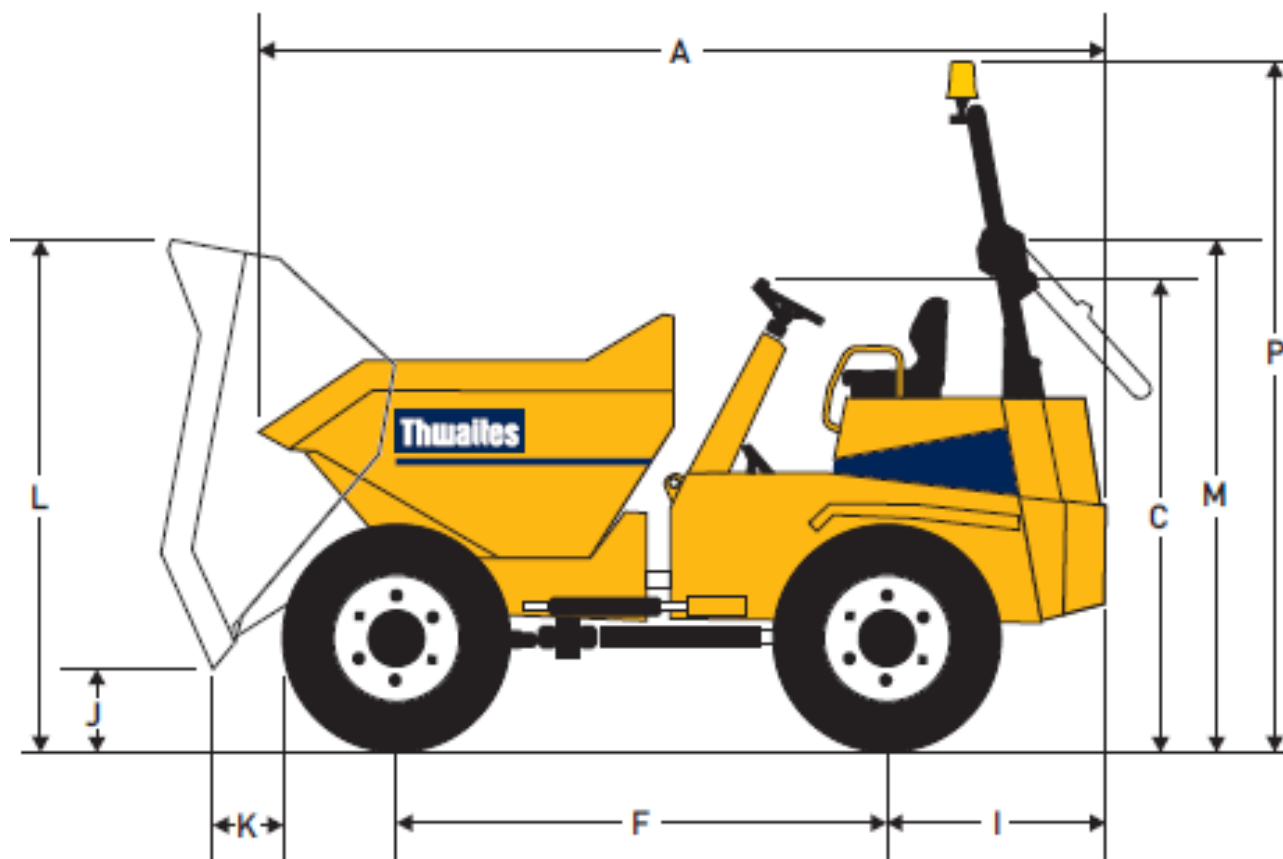
Clearance diameter 14 m

Call 01304 840845

OVENDEN

DIG IT > LOAD IT > CLEAR IT > MOVE IT

DIMENSIONS



	mm		mm
A	4,650	H	2,135
B	2,485	I	1,220
C	2,540	J	436
D	1,740	K	768
E	2,440	L	2,860
F	2,615	M	2,630
G	447	P	3,415

Call 01304 840845

OVENDEN

DIG IT > LOAD IT > CLEAR IT > MOVE IT