

# 2 tonne Front-Tip Dumper

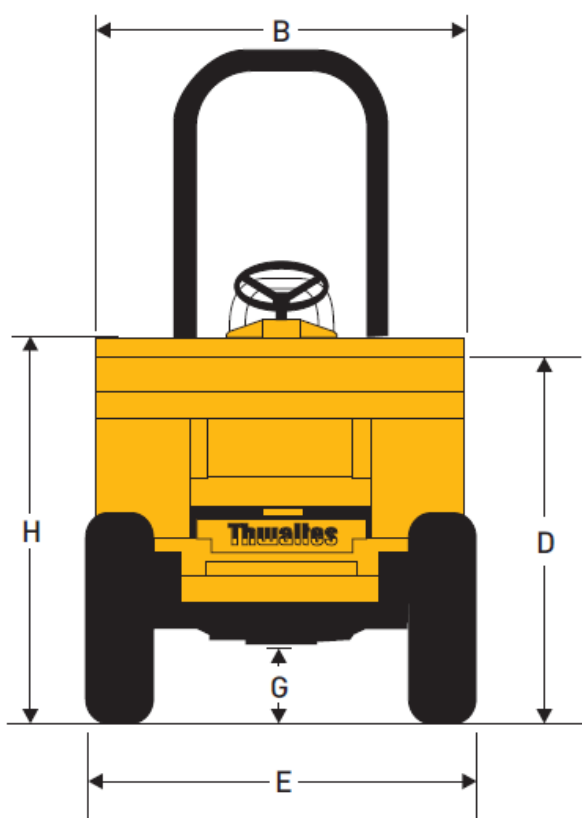
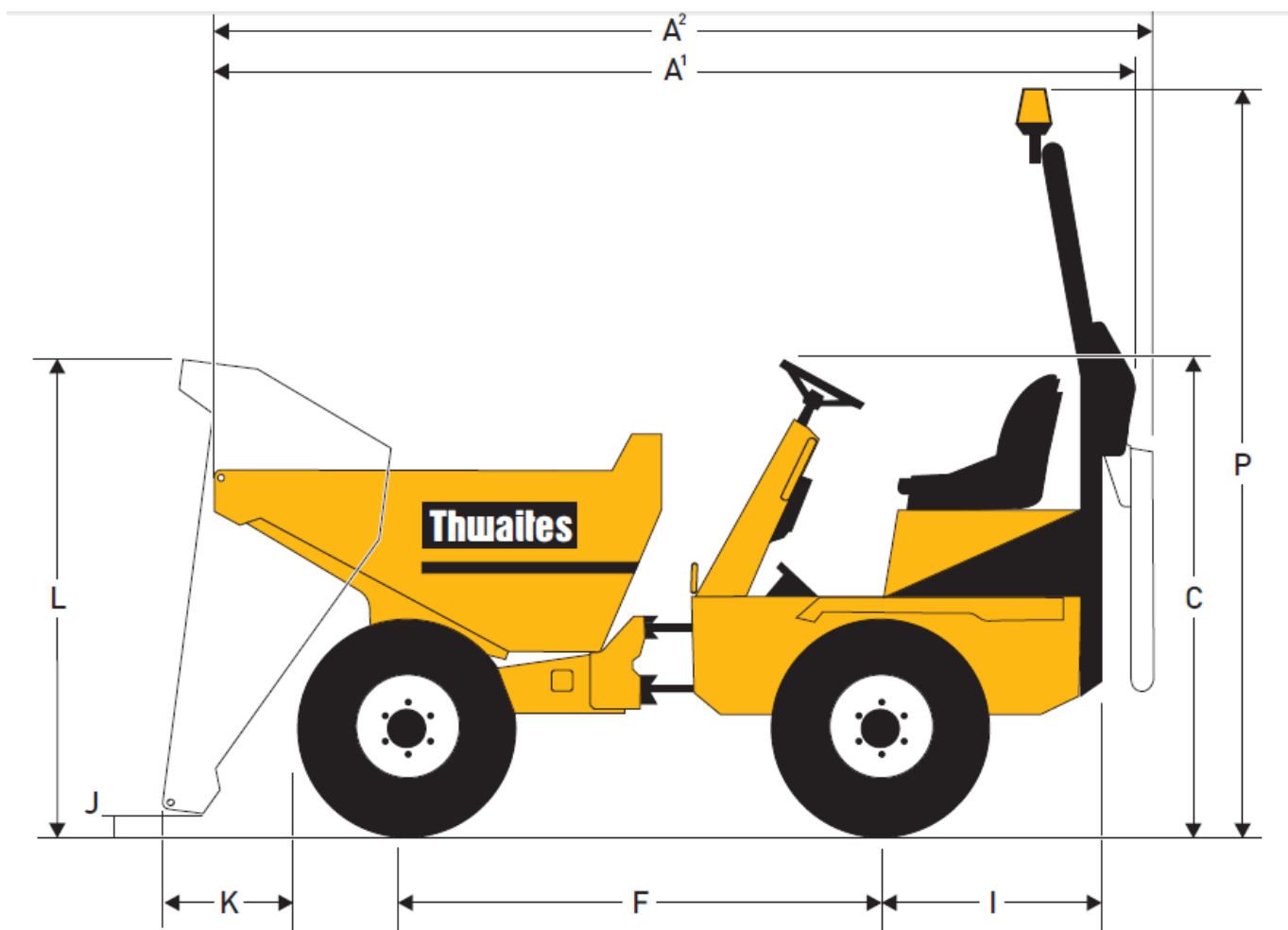


CAPACITIES	
<b>Max. safe load</b>	2000 kg
<b>Heaped</b>	1240 litres
<b>Struck</b>	970 litres
<b>Water</b>	850 litres
ENGINE	
	Yanmar 3TNV82A
<b>Displacement</b>	21.1 kW/29 bhp (nett) at 2800 rpm
<b>No. of cylinders</b>	three cylinder water-cooled direct-injection diesel
<b>Max Torque</b>	87 Nm
SPEEDS	
<b>1</b>	4.2 km/h ( 2.6 mph)
<b>2</b>	9.6 km/h ( 6.0 mph)
<b>3</b>	17.8 km/h (11.1 mph)
<b>Reverse</b>	4.6 km/h ( 2.9 mph)
<b>Steering and Hydraulics</b>	Hydraulic priority power steering
<b>Unladen Weight</b>	1970 kg
<b>Clearance diameter</b>	7.7 m

Call 01304 840845

**OVENDEN**  
DIG IT > LOAD IT > CLEAR IT > MOVE IT

## DIMENSIONS



	mm		mm
A1	3,595	G	275
A2	3,660	H	1,415
B	1,475	I	1,032
C	1,910	J	262
D	1,330	K	620
E	1,467	L	1,985
F	1,850	P	3,037

Call 01304 840845

**OVENDEN**

DIG IT > LOAD IT > CLEAR IT > MOVE IT