

Bobcat E08

Hydraulic Excavator



WEIGHTS

Operating weight with TOPS structure	1138 kg
Engine	
Make / model	Kubota / D722-E2B-BCZ-6 (TIER 2)
Fuel / Cooling	Diesel / Liquid
Maximum power at 2000 RPM (ISO 9249)	7.4 kW
Torque at 1600 RPM (SAE Net)	39.1 Nm
Number of cylinders	3
Displacement	0.72 l
Bore / Stroke	67 mm / 68 mm
Alternator	12 V — 40 A
Starter	12 V — 1.4 kW
Controls	
Steering	Direction and speed controlled by two hand levers
Hydraulics	Two levers, control boom, bucket, dipperstick, upper structure slew

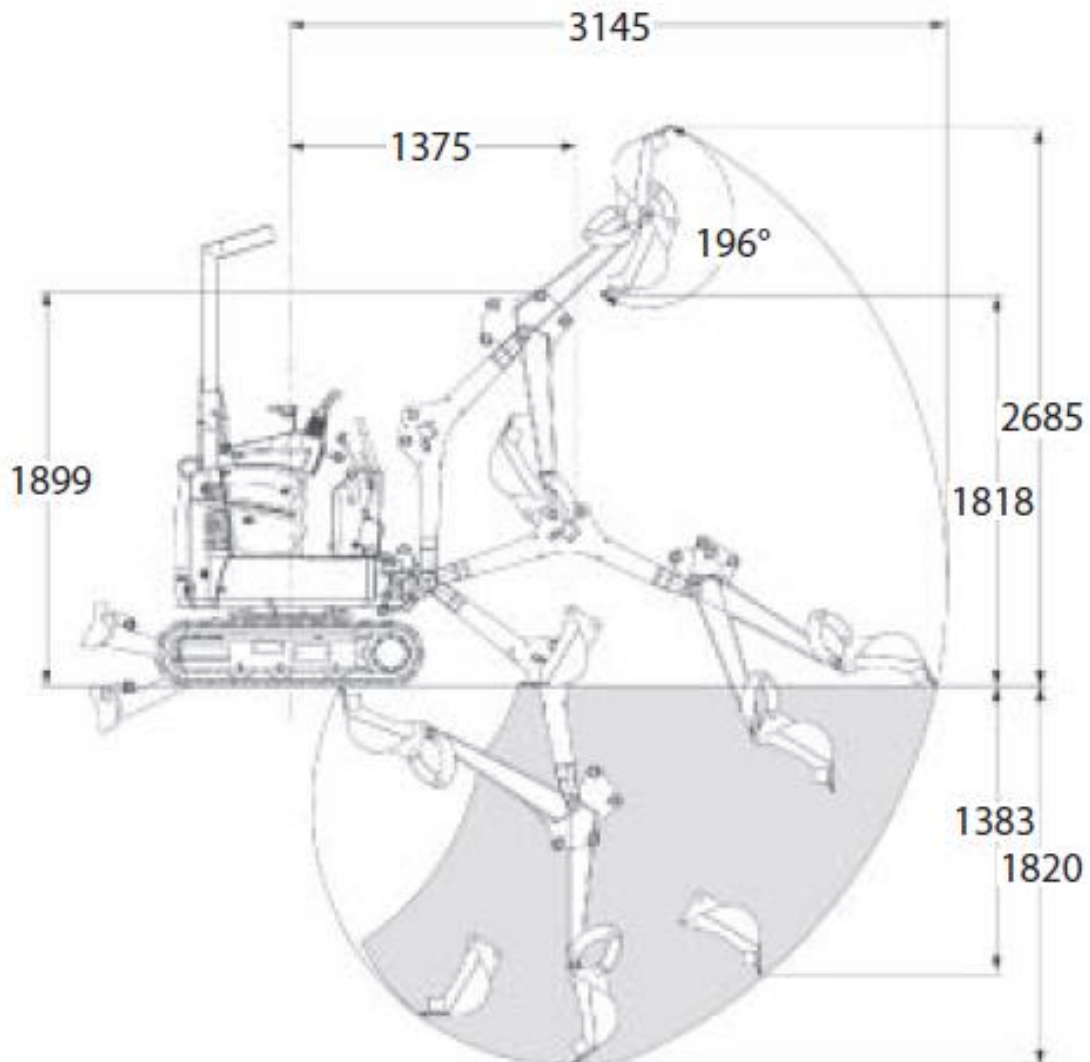
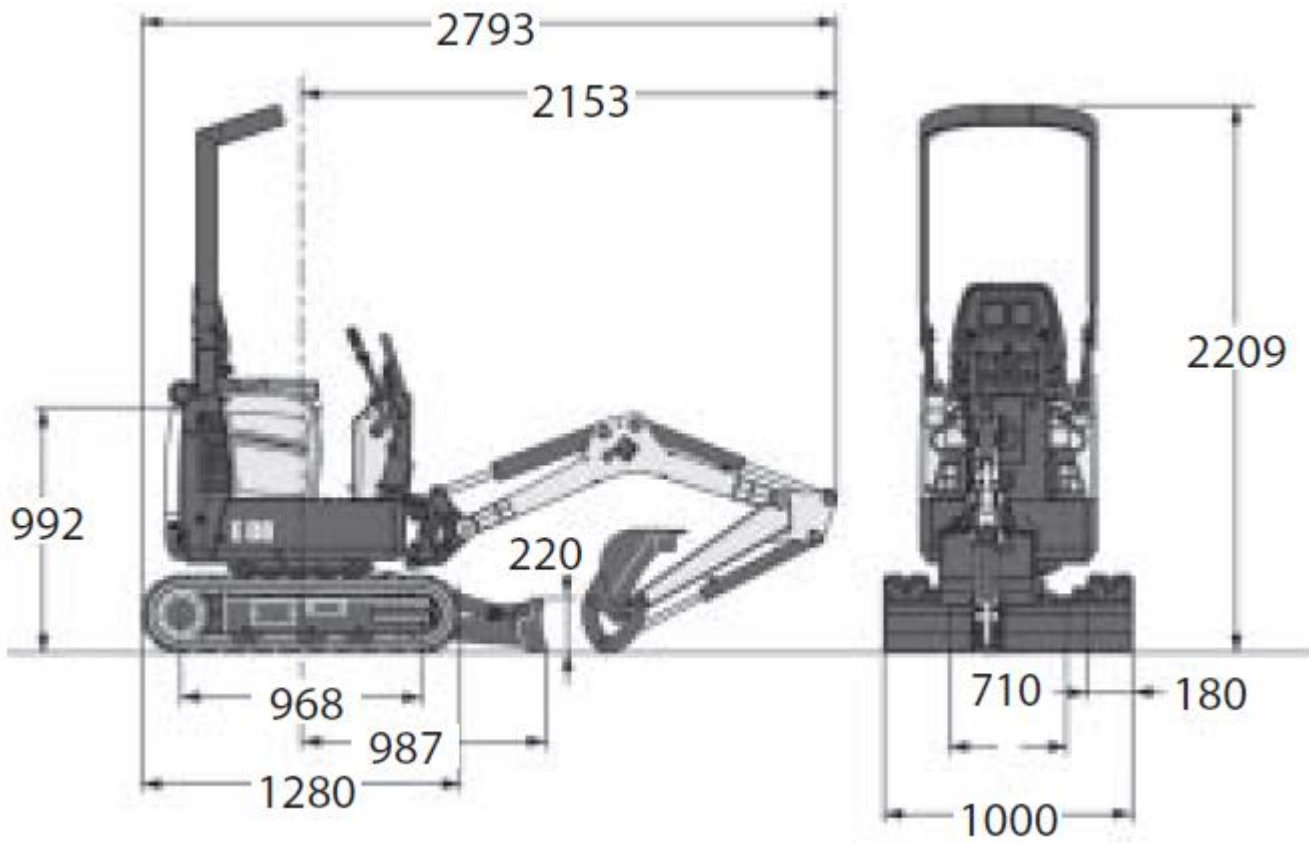
HYDRAULIC SYSTEM

Pump type	Double gear pump
Pump capacity	2 x 10 l/min @ 2000 RPM
Auxiliary flow	20 l/min
System relief pressure for implement circuits	185 bar
System relief pressure for auxiliary circuits	185 bar
Control valve	Nine-spool parallel type, open centre

Call 01304 840845

OVENDEN

DIG IT > LOAD IT > CLEAR IT > MOVE IT



Call 01304 840845

OVENDEN

DIG IT > LOAD IT > CLEAR IT > MOVE IT