

JCB Loadall 520-40

Telescopic Handler

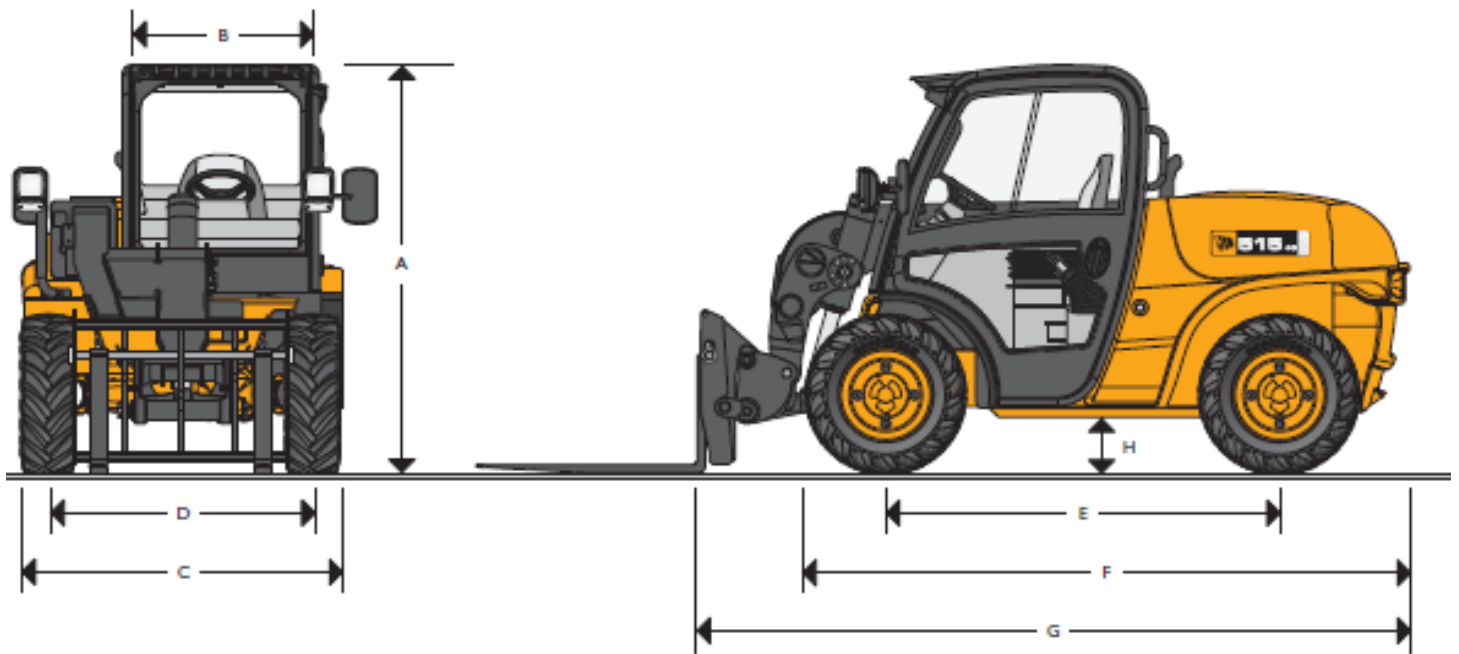


Maximum Payload (tonne)		2
Maximum Lift Height (m)		4
ENGINE		
Power rating @ 2800rpm		
Gross SAE J1995	kW (hp)	37.5 (50)
Torque rating @ 2000rpm		
SAE J1995	Nm (lbf ft)	135 (104)
Noise level to directive 2000/14/EC	dBA	104

Call 01304 840845

OVENDEN

DIG IT > LOAD IT > CLEAR IT > MOVE IT



DIMENSIONS

Machine model 520-40

		m (ft-in)
A	Overall height	1.97 (6-6)
B	Inside width of cab	0.92 (3-0)
C	Width over tyres (min)	1.56 (5-1)
D	Front track	1.29 (4-3)
E	Wheel base	1.90 (6-3)
F	Overall length to front of tyres	2.92 (9-6)
G	Overall length to front of carriage	3.38 (11-1)
H	Ground clearance	0.27 (0-11)
	Outer turn radius over tyres	3.05 (10-0)
	Weight kg (lb)	4400 (9700)
		Tyres 10x16.5 12 ply
		12x16.5 10 ply
		11.5/80x15.3 8 ply

HYDRAULICS

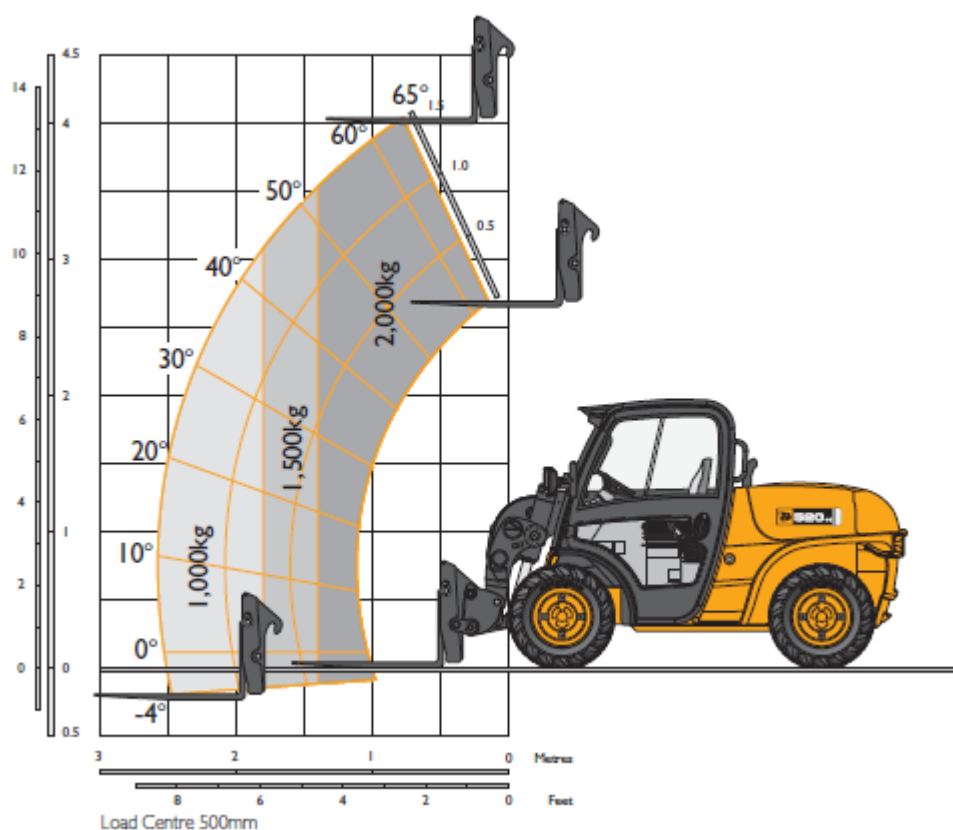
Machine model

Operating system pressure	bar (psi)	250 (3626)
Flow at system pressure (@ 2800rpm)	ltr/min	60
Cycle times		seconds
Boom raise		5.8
Boom lower		4
Extend		
Retract		4
Bucket dump		3.7
Bucket crowd		3.2

Call 01304 840845

OVENDEN

DIG IT > LOAD IT > CLEAR IT > MOVE IT



LIFT PERFORMANCE

Machine Model	Compact Tool Carrier		Skid Steer Tool Carrier	
	520-40		520-40	
Lift capacity at full height	kg (lb)	2000 (4408)	2000 (4408)	2000 (4408)
Lift capacity at full reach	kg (lb)	1000 (2204)	1000 (2204)	1000 (2204)
Max. lift height	mm (ft-in)	4035 (13-3)	4025 (13-2)	4025 (13-2)
Reach at max. lift height	mm (ft-in)	890 (2-11)	815 (2-8)	815 (2-8)
Maximum reach forward	mm (ft-in)	2590 (8-6)	2515 (8-4)	2515 (8-4)

LOADER PERFORMANCE

Shovel rated capacity	m ³	0.7	0.5
Breakout force	kN (kg)	36 (3700)	33 (3390)
	kg (lb)	3700 (8157)	3400 (7495)
Dump height (max)	mm (ft-in)	3555 (11-8)	3500 (11-7)
Dump angle at max height	degrees	33	40
Loadover height (max)	mm (ft-in)	4015 (13-1)	4015 (13-1)
Rollback angle at ground	degrees	38	31
Carriage rotation angle (total)	degrees	140	140
Bucket width	mm (ft-in)	1750 (5-8)	1730 (5-7)

Call 01304 840845

OVENDEN

DIG IT > LOAD IT > CLEAR IT > MOVE IT