

# Bobcat E16

## Hydraulic Excavator



### ENGINE

<b>Make / Model</b>	Kubota D722-E2B-BC-5-SI
<b>Fuel / Cooling</b>	Diesel / Liquid
<b>Maximum power</b>	9.9 kW (at 2500 RPM)
<b>Torque</b>	42.2 Nm (at 2200 RPM)
<b>Number of cylinders</b>	3
<b>Displacement</b>	720 cm
<b>Bore / Stroke</b>	67 mm / 68 mm
<b>Alternator</b>	12 V – 40 A – open frame with internal regulator
<b>Starter</b>	12 V – reduction on drive – 1.4 kW

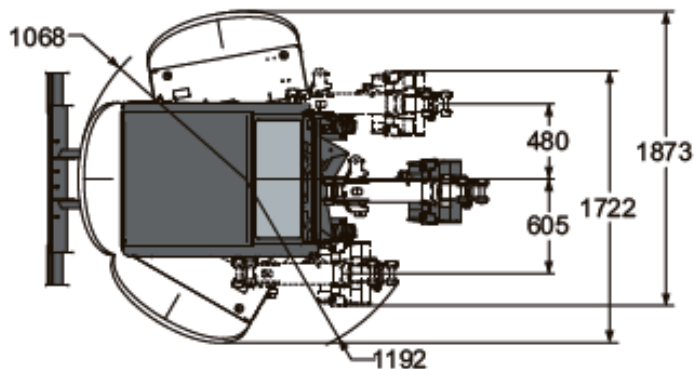
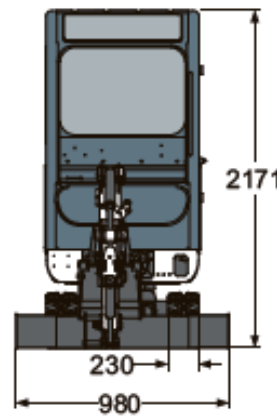
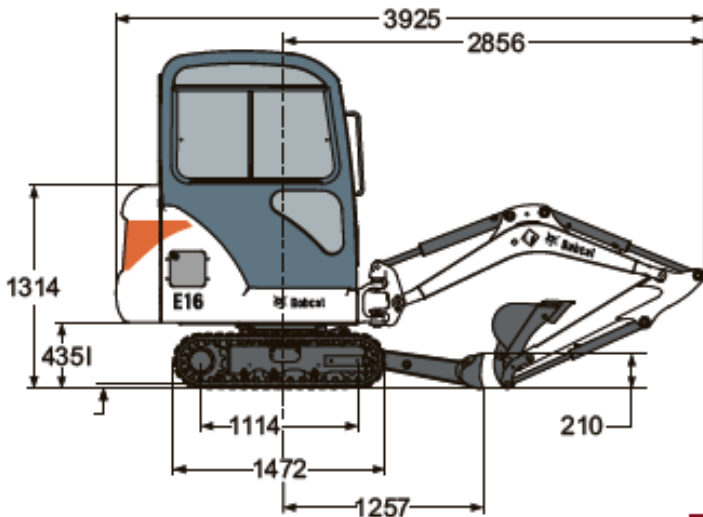
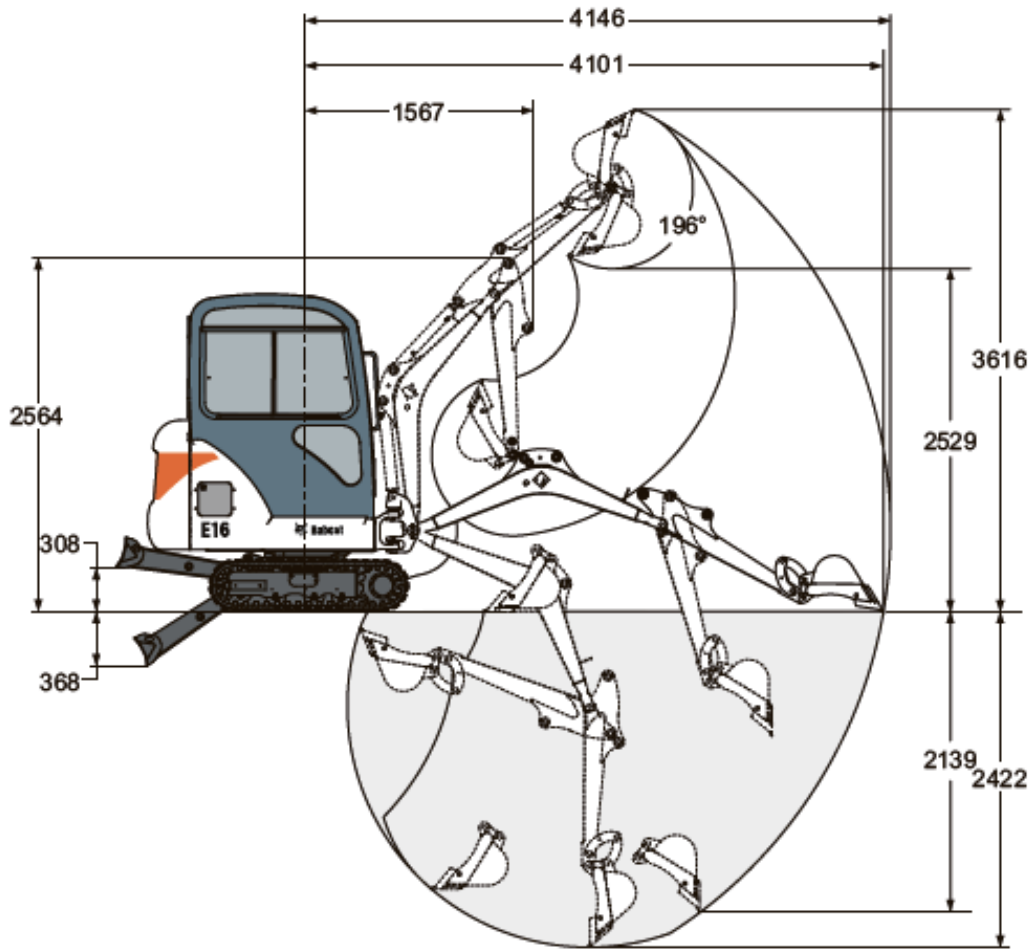
### PERFORMANCE

<b>Digging force, dipperstick</b>	9560 N
<b>Digging force, bucket</b>	16640 N
<b>Drawbar pull</b>	20029 N
<b>Ground pressure with rubber tracks</b>	28 kPa
<b>Travel speed, low range</b>	2.9 km/h
<b>Travel speed, high range</b>	4.8 km/h
<b>Minimum turning radius</b>	1192 mm
<b>Swing clearance, rear</b>	1068 mm

Call 01304 840845

**OVENDEN**

DIG IT > LOAD IT > CLEAR IT > MOVE IT



#### HYDRAULIC SYSTEM

<b>Pump type</b>	Dual piston pump with gear pump
<b>Pump 1 capacity</b>	11.30 l/min
<b>Pump 2 and 3 capacity</b>	15 l/min
<b>Auxiliary flow</b>	30 l/min
<b>Control valve</b>	Nine-spool parallel type, open centre

Call 01304 840845

**OVENDEN**

DIG IT > LOAD IT > CLEAR IT > MOVE IT