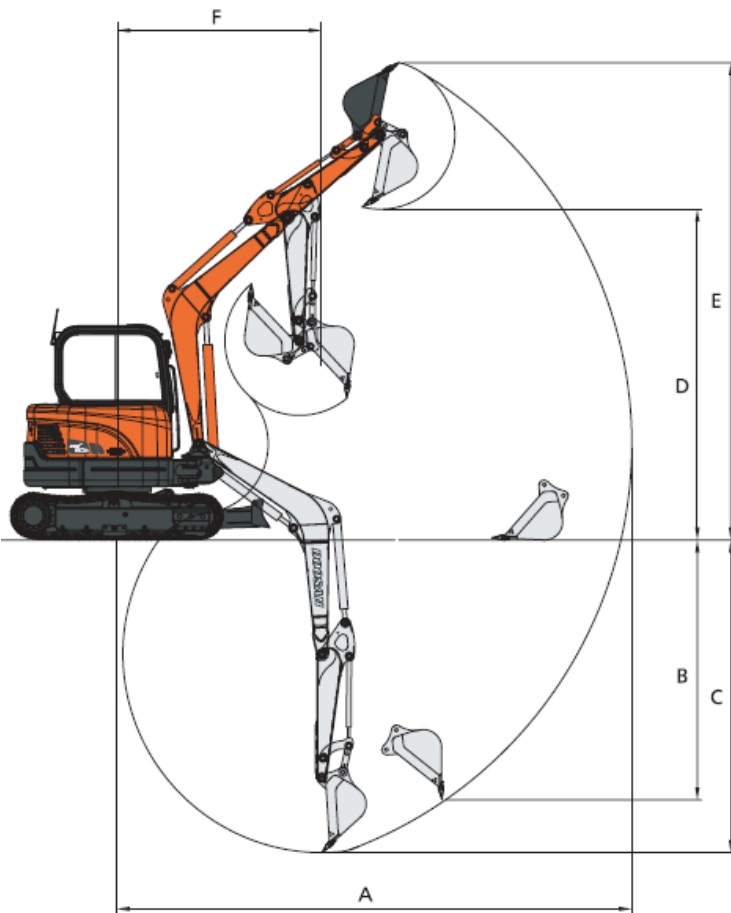


DX60R

Hydraulic Excavator



DIMENSION

Boom Type	2,900mm
Arm Type	1,900mm
Bucket Type	0.175m ³
Max Digging Reach	A 6,500mm
Max Vertical Wall	B 3,165mm
Max Digging Depth	C 4,145mm
Max Dump Height	D 4,125mm
Max Digging Height	E 5,853mm
Min Swing Radius	F 2,500mm

ENGINE

Model	Yanmar 4TNV98-ESDB6	
Number of cylinders	4	
Rated flywheel power	hp / rpm	53 / 2,200
(hp PER SAE J1995) GROSS	kW / rpm	39 / 2,200
Rated flywheel power	hp / rpm	50.7 / 2,200
(hp PER SAE J1349) NET	kW / rpm	37.3 / 2,200
Maximum torque (gross)	ft. lb. / rpm	151.9 / 1,400
(Sae j1995)	Nm / rpm	205.9 / 1,400
Piston displacement	in. ³	203
	cc	3,319
Bore and stroke	in. x in.	3.9 x 4.3
	mm x mm	98 x 110
Starter	V / kW	12 V, 3 kW
Batteries	V / AH	1 x 12 V x 100
Air cleaner	Double element with auto dust evacuation.	

Call 01304 840845

OVENDEN

DIG IT > LOAD IT > CLEAR IT > MOVE IT

PILOT PUMP (gear design)

Maximum flow	L / min.	9.9
Relief pressure	psi	469

MAXIMUM SYSTEM PRESSURE

Boom/arm/bucket	psi	3271
Travel	psi	3271
Swing	psi	2987

DRIVE SYSTEM

Travel speed (fast/slow)	km/h	3.9/2.1
Drawbar pull	kg	5000

Boom: 9'6" (2,900 mm)

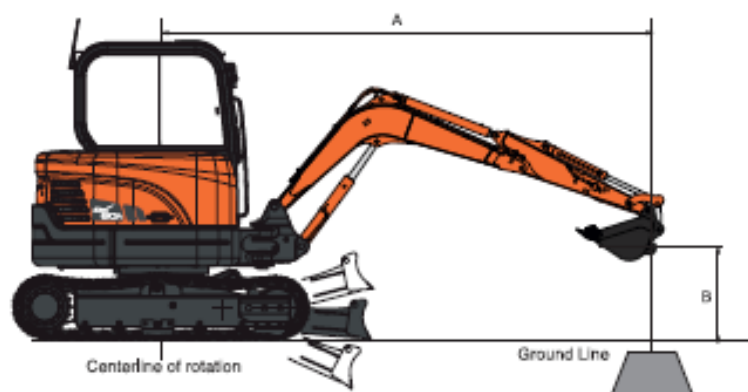
Arm: 6'3" (1,900mm)

Bucket: SAE .24 yd³ (.18 m³)

Triple Grouser Shoe: 15.75" (400 mm)

Counterweight: .89 ton (.81 metric ton)

Dozer Up



Boom: 9'6" (2,900 mm)

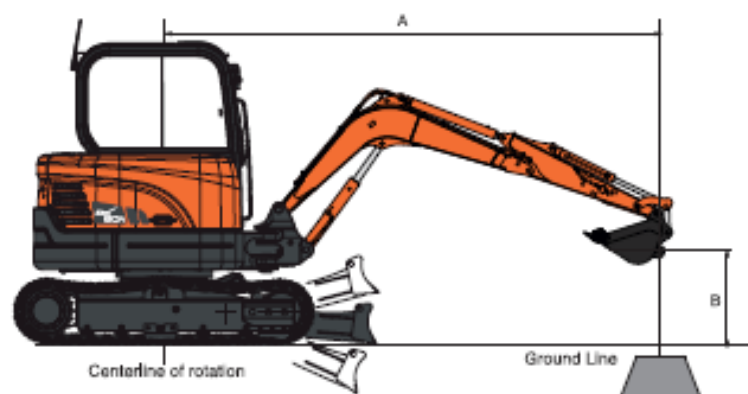
Arm: 6'3" (1,900mm)

Bucket: SAE .24 yd³ (.18 m³)

Triple Grouser Shoe: 15.75" (400 mm)

Counterweight: .89 ton (.81 metric ton)

Dozer Down



Call 01304 840845

OVENDEN

DIG IT > LOAD IT > CLEAR IT > MOVE IT